

TORO.

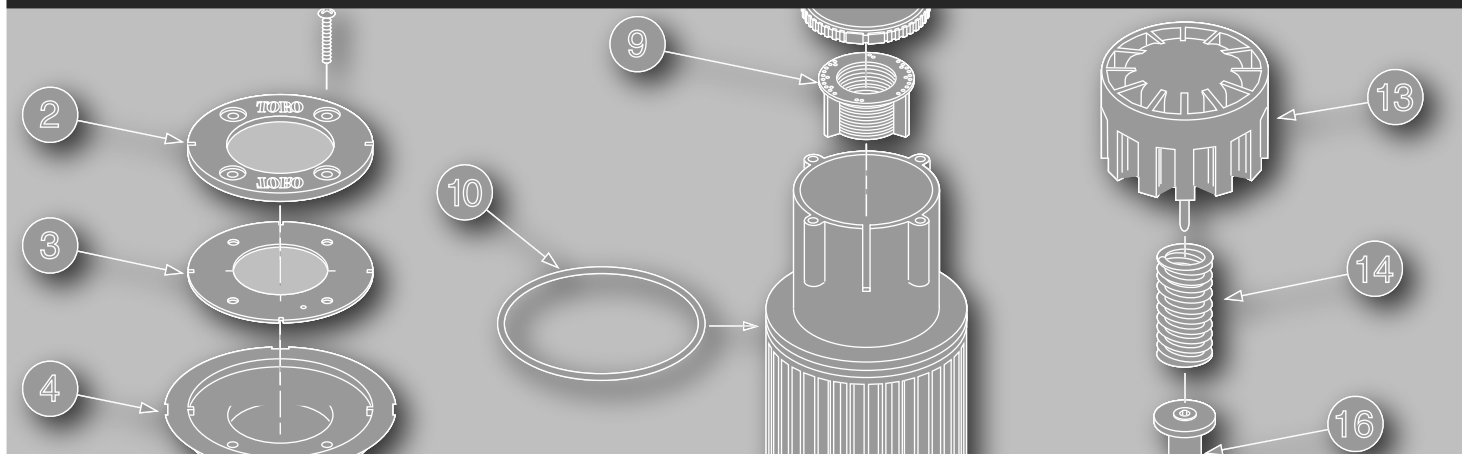
Count on it.

2006

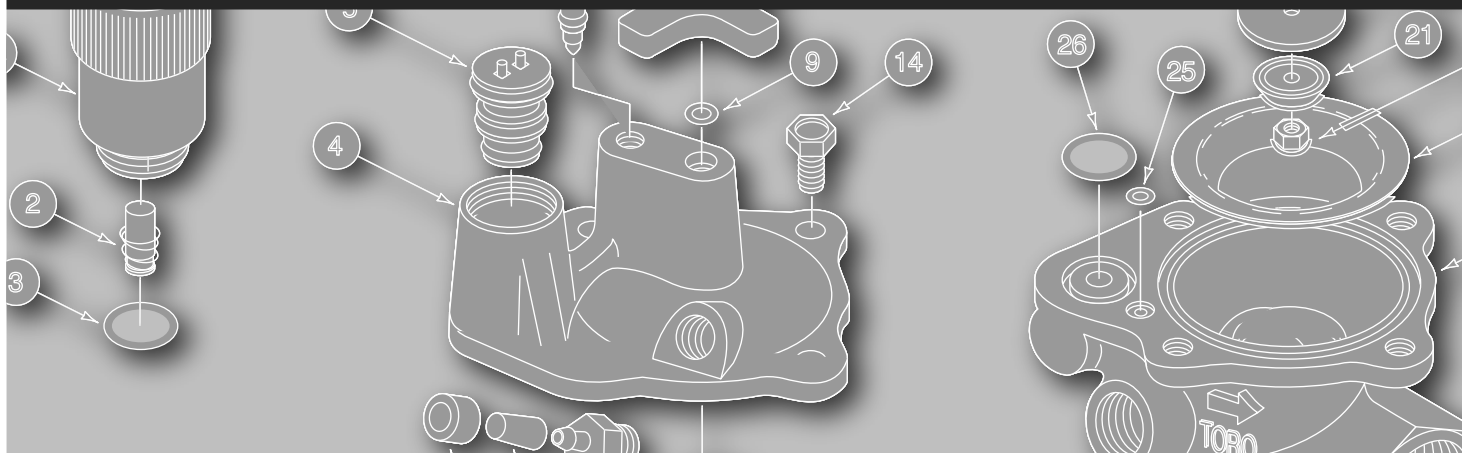
Irrigation Products

Illustrated Parts Breakouts

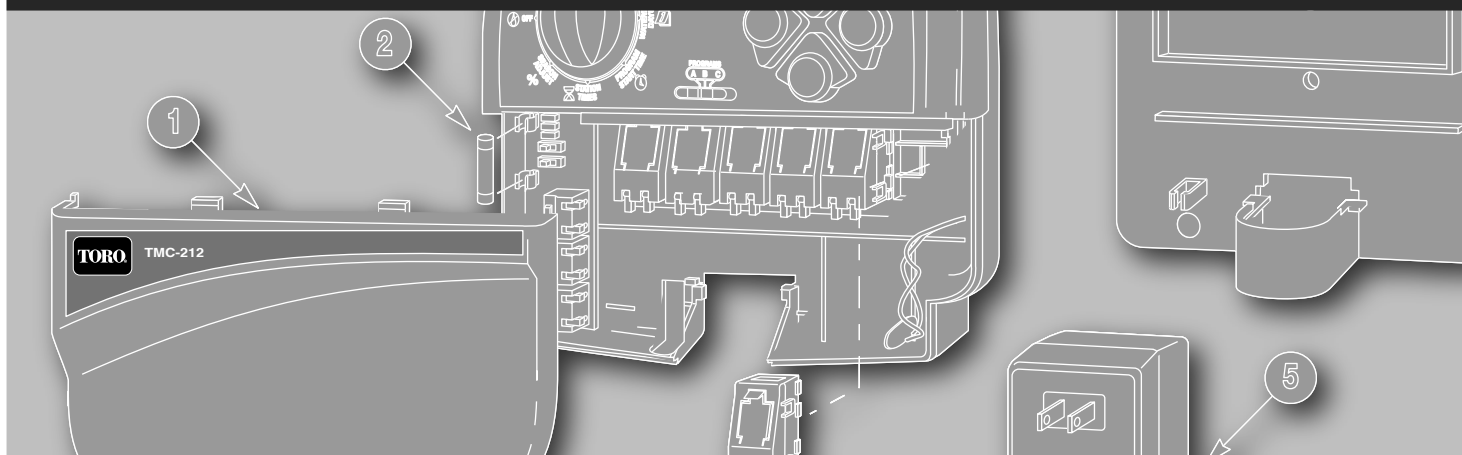
Sprinklers



Valves



Controllers



GENERAL INFORMATION

Please note the following usage guidelines:

- When dashes (- - -) are shown in place of a part number, the part is either not available for sale or not sold separately. Refer to the accompanying Service Items listing for availability.
- An asterisk (*) preceding a part number indicates the item is only available through the Toro Finished Goods Distribution System and must be ordered accordingly.
- This book is updated annually. The published part numbers and descriptions are subject to change. If changes and/or corrections are required, the updated information will be made available through the Toro Distributor Operations Bulletin and/or Tech Tip communications.
- Common abbreviations used within this publication:

A	= Ampere	NO	= Normally Open (Micro Switch)
Amp	= Ampere	NPT	= National Pipe Thread
Assy.	= Assembly	PC	= Part Circle
ADJ	= Adjustable	Pot.	= Potentiometer
B	= Barbed	PV	= Pilot Valve
BSP	= British Standard Pipe	PHPH	= Pan Head Phillips Head
COM	= Check-O-Matic	PHFH	= Pan Head Fillister Head
CR	= Contamination Resistant	PT	= Pin Type (Hydraulic)
CSA	= Canadian Standards Association	PR	= Pressure Regulated
EL	= Electric	Prog.	= Program
Elec	= Electric	RC	= Rubber Cover
Exp	= Export	RPD	= Revolutions Per Day
F	= Female	RPM	= Revolutions Per Minute
FC	= Full Circle (Sprinkler)	S	= Slip
FC	= Flow Control (Valve)	SST	= Stainless Steel
GPM	= Gallons Per Minute	SI	= Side Inlet
Hyd.	= Hydraulic	Svc	= Service
Hz	= Hertz	TM	= Timing Mechanism
in.	= Inch	V	= Volts
Int.	= Internal	V a.c.	= Volts Alternating Current
Int. T	= Internal Tooth	V d.c.	= Volts Direct Current
L/	= Less	VA	= Volt Amps
lbs.	= Pounds	VIH	= Valve In Head
M	= Male	w/	= with
M/F	= Male/Female	w/o	= without
N/I	= Not Indicated	"	= Inches
NC	= Normally Closed (Hydraulic)	'	= Feet
NC	= Normally Closed (Micro Switch)		
NO	= Normally Open (Hydraulic)		

TABLE OF CONTENTS

Residential/Commercial Sprinklers

570 Series	
570Z-2P, -3P & -4P, 570Z-PRX-4P & 570Z-XF-4P	1
570Z-6P, 570Z-6P-SI, 570Z-PRX-6P & 570Z-XF-6P	2
570Z-12P, 570Z-12P-SI, 570Z-PRX-12P & 570Z-XF-12P... ..	3
570Z Nozzles	4-5
300 Series Stream Rotor	
Shrub	6
Lawn	7
High-pop	8
300/340 Nozzles and Arc Disc Components.....	9
340 Series Stream Rotor	
Shrub	10
Lawn	11
High-pop	12
XP-300 Series	
Shrub	13
Lawn	14
High-pop	15
Super 600® Series	16
Super 700 Series	
Shrub	17
Lawn	18
Commercial	19
High-pop	20
Super 700 Nozzles	21
V-1550 Series	
Shrub	22
V-1550-4	23
V-1550-12	24
TR50 Series	
Shrub	25
Lawn	26
High-pop	27
TR50XT Series	
Shrub	28
Lawn	29
High-pop	30
TR70P & TR70XT	31
640 Series	32-33
2001™ Series	34-35
S2001™ Series	36-37

Large Turf Sprinklers

720 Series	40-41
720 Series Conversion Assembly	42
720G	43
810G	44
830S Series	46-49
860S Series	50-51
850S Series	52-55
880S Series	56-57
730 Series	58-59
760 Series	60-61
650 Series	62-63
750 Series	64-65
780 Series	66-67
780 Series Conversion Assembly	68-69

670 Series	70-71
690 Series	72-73
Golf Sprinkler Body, 1 Inch	74-75
Golf Sprinkler Body, 1.5 Inch	76-77
Pilot Valve	78
Pilot Valve, Adjustable Pressure	79

Valves

EZ-Flo™ Plus Series Valves	
1 Inch Male	82
1 Inch Female.....	83
1 Inch Angle.....	84
3/4 Inch and 1 Inch AVB.....	85
264 Series Plastic Valves	
3/4 Inch	86
1 Inch	87
254 Series Plastic Valves, 1 Inch	88
250 Series Plastic Valves, 1 Inch	89
260 Series Plastic Valves, 1 Inch	90
252 Series Plastic Valves	
1 Inch	91
1.5 Inch	92-93
2 Inch	94-95
P-220 Series Plastic Valves	
1 Inch	96
1.5 Inch	97
2 Inch	98
3 Inch	99
220 Series Brass Valves	
1 Inch	100-101
1.25 Inch & 1.5 Inch	102-103
2 Inch	104-105
2.5 Inch & 3 Inch	106
Flo-Pro® Series Valves	
3/4 & 1 Inch AVB	107
1 Inch Female	108
1 Inch Male	109
1 Inch Angle	110
1 Inch Globe	111
216 Series Brass Valves	
1 Inch	112-113
1.25 Inch & 1.5 Inch	114-115
2 Inch	116-117
2.5 Inch & 3 Inch	118-119
Pressure Regulator	120
2-way Pilot Valve, 284-60-00	121
Manual Actuator, 286-61-01	122
3-way Actuator	
286-66-01	123
286-68-00	124
Electric-Hydraulic Converter	125
Pressure Vacuum Breaker	
3/4 Inch 80-0550 and 1 Inch 80-0560	125-127
Flow Gauge	128

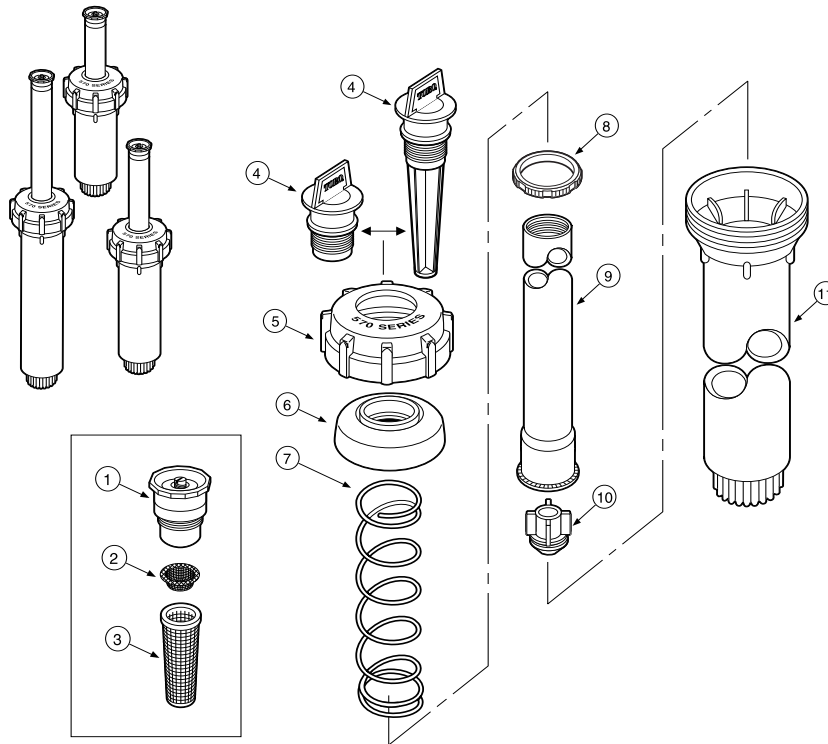
TABLE OF CONTENTS

Residential/Commercial Controllers

TMC-212, GreenKeeper® 212	130
TMC-212, GreenKeeper® 212 Outdoor Cabinet	131
Turf Pro™ Indoor Cabinet	132
Turf Pro™ Outdoor Cabinet	133
TCC-P9–P24, Custom Command™	
Metal Cabinet.....	134
Plastic Cabinet.....	135
TCC-M36 & M48, Custom Command™ 36 & 48	136
Sentinel™	
Sentinel Central Control System.....	137
Sentinel Satellite, Wall-mount Cabinet.....	138
Sentinel Satellite, Pedestal-mount Cabinet.....	139
Sentinel Remote Transceiver.....	140
Sentinel Map To Assembly, Wall-mount Cabinet.....	141
Sentinel Map To Assembly, Pedestal-mount Cabinet.....	142
GreenKeeper®	143
Vision®	
Vision I – Old-style Cabinet.....	144–145
Vision I – New-style Plastic Cabinet.....	146–147
Vision II – Old-style Cabinet.....	148–149
Vision II – New-style Plastic Cabinet.....	150–151
Vision II – Metal Cabinet.....	152–153
Vision II Plus – Plastic Cabinet.....	154
Vision II Plus – Metal Cabinet.....	155
XF-416™	156
Custom II 8 & 12	
Electric.....	158–159
Hydraulic.....	160–162
Timing Mechanism.....	164–165
C8+1™/C12+1™/C16+2™/C24+2™	
C8+1/C12+1 Electric.....	166–167
C8+1/C12+1 Hydraulic.....	168–169
C16+2/C24+2.....	170–171
C8+1/C12+1 Timing Mechanism.....	172–173
Monitor® II	
Wall Mount Cabinet.....	174–176
Pedestal Cabinet (Export).....	178–179
Pedestal Cabinet (Domestic).....	180–181
Timing Mechanism.....	182–185
Selector Valve Assembly	
11- & 23-Station Pedestal Cabinet.....	186
11-Station Wall Mount Cabinet.....	187
Freetime®	
4-Station Electric.....	188
4-Station Hydraulic.....	189
4-Station Timing Mechanism.....	190–191
Golf Controllers	
SitePro® Field Interface Unit	194–195
TouchNet™ for OSMAC®	196
TouchNet™ for Network LTC® Plus	197
Network VP® Satellite	
Pedestal & Internal Components.....	198–200
Power Supply Assembly.....	201
Network 8000® Satellite, Plastic Cabinet	
Internal Components.....	202–203
Pedestal Components.....	204–205
24V Output Assembly.....	206–207
AC/DC Power Supply Assembly.....	208–209
Power Supply Assembly.....	210–211

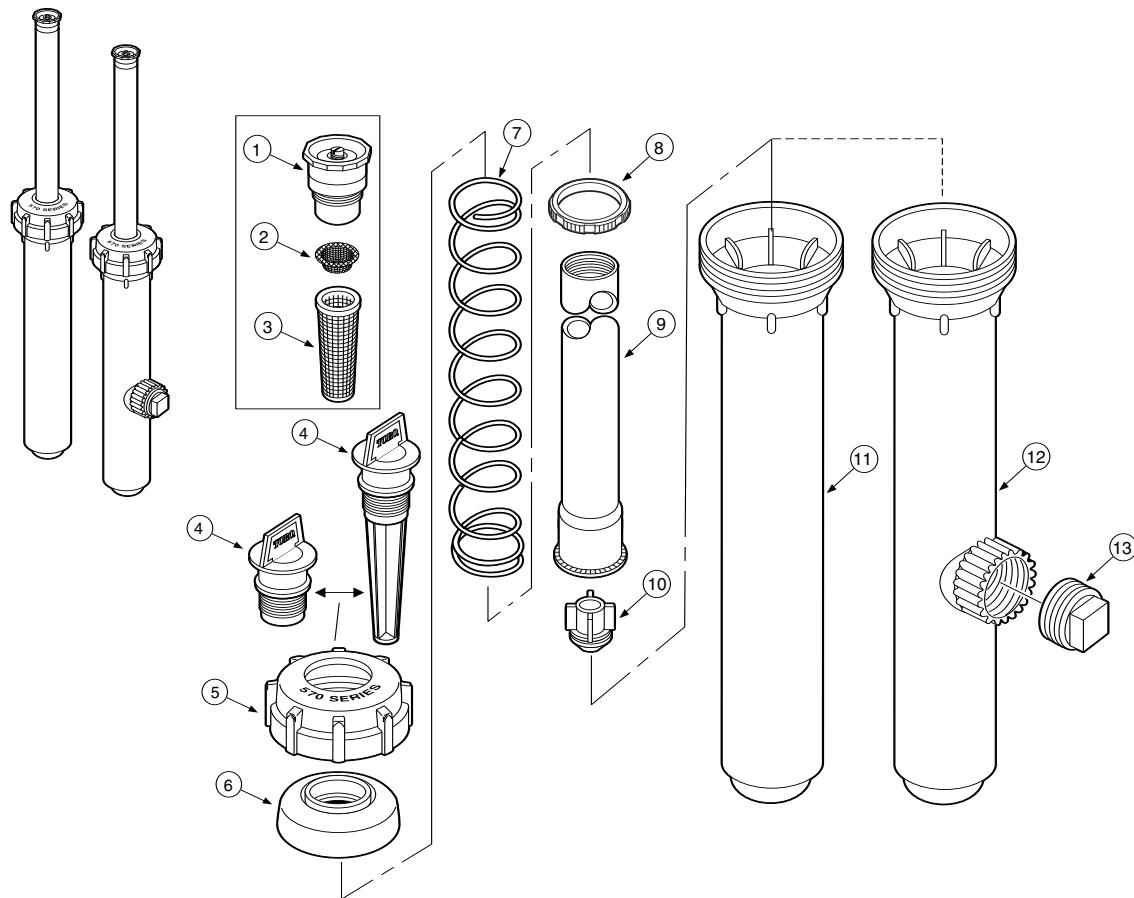
Network 8000® Satellite, Metal Cabinet	
Large Metal Cabinet.....	212–215
Small Metal Cabinet.....	216–219
Control Panel Assembly.....	220
Note: The Network 8000 Monitor Control Unit (MCU) and Phone Link Concentrator (PLC) are not shown separately. See pp. 215 and 220 for available service items.	
Network DR 2™ Satellite	
Metal Cabinet (Late Model).....	222–223
Plastic Cabinet.....	224–225
Metal Cabinet (Early Model).....	226–227
Network LTC® Satellite	
Version 1.0, Wall Mount Cabinet.....	228–229
Version 1.0, Taper Top.....	230–231
Version 2.0, Metal Cabinet.....	232–233
Version 2.0, Plastic Cabinet.....	234–235
Version 2.0, Power Supply.....	236–237
Network LTC® Plus Satellite	
Common Internal Components.....	238–239
Plastic Cabinet Components.....	240
Metal Cabinet Components.....	241
Power Supply (Early Model).....	242
Power Supply (Late Model and E-Series OSMAC).....	243
E-Series™ OSMAC® Satellite, Narrow-band	
Plastic Cabinet.....	244
Metal Cabinet.....	245
Field Interface Components.....	246
E-Series™ OSMAC® Satellite, Wide-band	
Plastic Cabinet.....	247
Metal Cabinet.....	248
Field Interface Components.....	249
OSMAC® Satellite	
Small Metal Pedestal Cabinet, Electric.....	250–251
Small Metal Pedestal Cabinet, Hydraulic.....	252–253
Large Metal Pedestal Cabinet, Electric.....	254–255
Large Metal Pedestal Cabinet, Hydraulic.....	256–257
Plastic Pedestal Cabinet, Electric.....	258–259
Plastic Pedestal Cabinet, Hydraulic.....	260–261
OSMAC® RDR Unit, Power Supply Assembly	262–263
OSMAC® RDR Unit, Model RDR0160LVNO	264
OSMAC® RDR Unit, Model RDR0160LVCE	265
Vari-Time® II /Vari-Time® 4000 Satellite	
VT II Satellite, Pedestal Cabinet, Electric.....	266–267
VT II Satellite, Pedestal Cabinet, Hydraulic.....	268–269
VT 4000 Satellite, Pedestal Cabinet, Electric.....	270–271
VT 4000 Satellite, Pedestal Cabinet, Hydraulic.....	272–273
VT 4000 Satellite, Wall Mount Cabinet.....	274–275
VT II/VT 4000 Timing Mechanism.....	276–277
Vari-Time® II Central	
Central.....	278–279
Front Panel Assembly.....	280–281
Central/Syringe Timing Mechanism.....	282–283
Surge Protection Unit (SPU).....	284
Vari-Time® 4000 Central	
Central.....	285
Central Timing Mechanism.....	286
Syringe Timing Mechanism.....	287

570Z-2P, 570Z-3P, 570Z-4P, 570Z-PRX-4P & 570Z-XF-4P



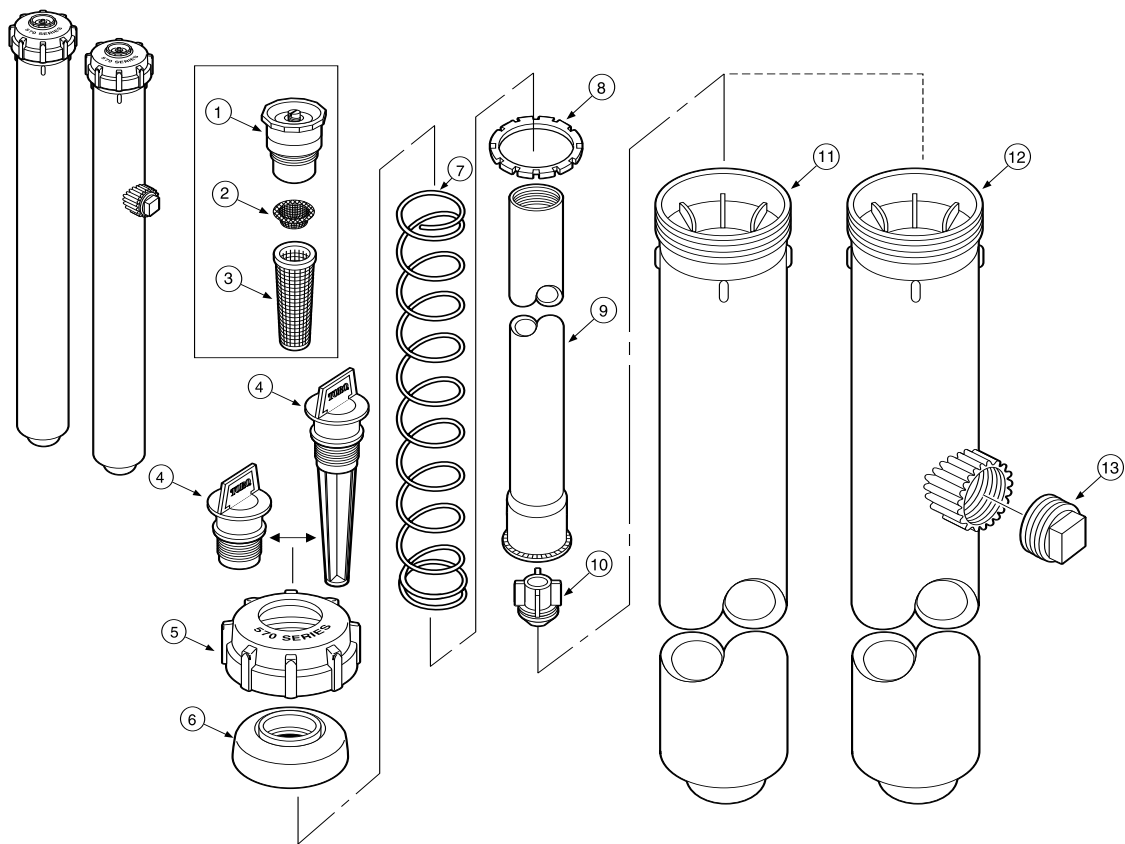
Item No.	Part No.	Description	Quantity Per Assy.
1	-----	Nozzle (See p. 4)	1
2	89-5548	Screen, Filter, SST	1
3	9-5112	Screen, Riser (White Plastic, Regular Mesh)	1
3	89-8738	Screen, Riser (Red Plastic, Fine Mesh)	1
4	102-2178	Flush Cap	1
4	102-0621	Flush Plug, PRX & XF	1
5	89-3747	Cap	1
5	89-8210	Cap, COM	1
5	102-0562	Cap, Lavender	1
6	89-3746	Seal, Cap	1
7	89-5640	Spring, 570-2P	1
7	89-5920	Spring, 570-2P, COM	1
7	35-4879	Spring, 570-3P	1
7	102-2960	Spring, 570-3P, COM	1
7	35-3077	Spring, 570-4P	1
7	102-2961	Spring, 570-4P, COM	1
8	89-0463	Retainer, Spring	1
9	89-5642	Riser, 2P	1
9	89-0967	Riser, 3P	1
9	89-0969	Riser, 4P	1
10	89-5896	COM Assy.	1
11	89-5641	Body, 2P	1
11	89-0966	Body, 3P	1
11	89-0968	Body, 4P	1
		SERVICE ITEMS	
	89-3997	Cap Assy. (Includes Items 5 & 6)	
	89-8256	Cap Assy., COM (Includes Items 5 & 6)	
	102-1211	Cap Assy., Lavender (Includes Items 5 & 6)	
	102-0971	PRX Riser Assy., 4P (Includes Items 4 & 9)	
	102-0973	PRX Riser Assy., 4P, COM (Includes Items 4, 9 & 10)	
	102-3994	XF Riser Assy., 4P (Includes Items 4 & 9)	
	102-3995	XF Riser Assy., 4P, COM (Includes Items 4, 9 & 10)	

570Z-6P, 570Z-6P SI, 570Z-PRX-6P & 570Z-XF-6P



Item No.	Part No.	Description	Quantity Per Assy.
1	-----	Nozzle (See p. 4)	1
2	89-5548	Screen, Filter, SST	1
3	9-5112	Screen, Riser (White Plastic, Regular Mesh)	1
3	89-8738	Screen, Riser (Red Plastic, Fine Mesh)	1
4	102-2178	Flush Cap	1
4	102-0621	Flush Plug, PRX & XF	1
5	89-3747	Cap	1
5	89-8210	Cap, COM	1
5	102-0562	Cap, Lavender	1
6	89-3746	Seal, Cap	1
7	102-2876	Spring, Return, 570-6P	1
7	102-2864	Spring, Return, 570-6P COM	1
8	89-0463	Retainer, Spring	1
9	89-0856	Riser, 6P	1
10	89-5896	COM Assy.	1
11	89-0970	Body, 6P	1
12	89-0857	Body, 6P, SI	1
13	363-3125	Plug, 1/2" NPT	1
		SERVICE ITEMS	
	89-1245	Body Assy., 6P, SI w/Plug (Includes Items 12 & 13)	
	89-3997	Cap Assy. (Includes Items 5 & 6)	
	89-8256	Cap Assy., COM (Includes Items 5 & 6)	
	102-1211	Cap Assy., Lavender (Includes Items 5 & 6)	
	102-0972	PRX Riser Assy., 6P (Includes Items 4 & 9)	
	102-0974	PRX Riser Assy., 6P, COM (Includes Items 4, 9 & 10)	
	102-3996	XF Riser Assy., 6P (Includes Items 4 & 9)	
	102-3997	XF Riser Assy., 6P, COM (Includes Items 4, 9 & 10)	

570Z-12P, 570Z-12P SI, 570Z-PRX-12P & 570Z-XF-12P



Item No.	Part No.	Description	Quantity Per Assy.
1	-----	Nozzle (See p. 4)	1
2	89-5548	Screen, Filter, SST	1
3	9-5112	Screen, Riser (White Plastic, Regular Mesh)	1
3	89-8738	Screen, Riser (Red Plastic, Fine Mesh)	1
4	102-2178	Flush Cap	1
4	102-0621	Flush Plug, PRX & XF	1
5	89-3747	Cap, 570	1
5	89-8210	Cap, 570Z	1
5	102-0562	Cap, Lavender	1
6	89-3746	Seal, Cap	1
7	102-2877	Spring, Return, 570-12P	1
7	102-2965	Spring, Return, 570-12P, COM	1
8	89-0855	Ratchet	1
8	89-0433	Ratchet, SI	1
9	102-1246	Riser	1
10	89-5896	COM Assy.	1
11	9-7236	Body, 12P	1
12	35-9322	Body, 12P, SI	1
13	363-3125	Plug, 1/2" NPT	1
		SERVICE ITEMS	
	89-3997	Cap, Assy.	
	89-8256	Cap Assy., COM (Includes Items 5 & 6)	
	102-1211	Cap Assy., Lavender (Includes Items 5 & 6)	
	102-2917	PRX Riser Assy., 12P (Includes Items 4 & 9)	
	102-2918	PRX Riser Assy., 12P COM (Includes Items 4, 9 & 10)	
	102-3998	XF Riser Assy., 12P (Includes Items 4 & 9)	
	102-3999	XF Riser Assy., 12P COM (Includes Items 4, 9 & 10)	
	102-4545	Cap & Riser Kit, 570-12P	
	102-4546	Cap & Riser Kit, 570 Side Inlet-12P	

570 Nozzles

Note: All 570 nozzles must be ordered through the Finished Goods Distribution System.

570 MPR Plus Nozzles – Standard

15' SERIES WITH 27° TRAJECTORY			
Part No.	Model No.	Description	Screen(s)
89-1769	15-Q	1/4 Circle	White
89-1768	15-T	1/3 Circle	White
89-1767	15-H	1/2 Circle	White
89-1766	15-TT	2/3 Circle	White
89-1765	15-TQ	3/4 Circle	White
89-1764	15-F	Full-circle	White

12' SERIES WITH 23° TRAJECTORY			
Part No.	Model No.	Description	Screen(s)
89-1775	12-Q	1/4 Circle	White
89-1774	12-T	1/3 Circle	White
89-1773	12-H	1/2 Circle	White
89-1772	12-TT	2/3 Circle	White
89-1771	12-TQ	3/4 Circle	White
89-1770	12-F	Full-circle	White

10' SERIES WITH 12° TRAJECTORY			
Part No.	Model No.	Description	Screen(s)
89-1781	10-Q	1/4 Circle	White
89-1780	10-T	1/3 Circle	White
89-1779	10-H	1/2 Circle	White
89-1778	10-TT	2/3 Circle	White
89-1777	10-TQ	3/4 Circle	White
89-1776	10-F	Full-circle	White

8' SERIES WITH 5° TRAJECTORY			
Part No.	Model No.	Description	Screen(s)
89-1787	8-Q	1/4 Circle	Red
89-1786	8-T	1/3 Circle	Red
89-1785	8-H	1/2 Circle	Red
89-1784	8-TT	2/3 Circle	Red
89-1783	8-TQ	3/4 Circle	Red
89-1782	8-F	Full-circle	Red

5' SERIES WITH 0° TRAJECTORY			
Part No.	Model No.	Description	Screen(s)
89-1793	5-Q	1/4 Circle	Red & Metal
89-1792	5-T	1/3 Circle	Red & Metal
89-1791	5-H	1/2 Circle	Red & Metal
89-1790	5-TT	2/3 Circle	Red & Metal
89-1789	5-TQ	3/4 Circle	Red & Metal
89-1788	5-F	Full-circle	Red & Metal

SPECIAL PATTERNS			
Part No.	Model No.	Description	Screen(s)
89-1796	4x30-SST	Side Strip, 4' x 30'	Red
89-1795	4x30-EST	End Strip, 4' x 15'	White
89-1794	4x30-CST	Center Strip, 4' x 30'	White
89-1797	9x18-SST	Side Strip, 9' x 18'	White
89-1798	4x18-SST	Side Strip, 4' x 18'	Red
89-1799	2x6-SST	Side Strip, 2' x 6'	Red & Metal

570 MPR Plus Nozzles – Press. Comp.

15' SERIES WITH 27° TRAJECTORY			
Part No.	Model No.	Description	Screen(s)
89-1416	15-Q-PC	1/4 Circle	White
89-1413	15-T-PC	1/3 Circle	White
89-1410	15-H-PC	1/2 Circle	White
89-1407	15-TT-PC	2/3 Circle	White
89-1404	15-TQ-PC	3/4 Circle	White
89-1401	15-F-PC	Full-circle	White

12' SERIES WITH 23° TRAJECTORY			
Part No.	Model No.	Description	Screen(s)
89-1434	12-Q-PC	1/4 Circle	White
89-1431	12-T-PC	1/3 Circle	White
89-1428	12-H-PC	1/2 Circle	White
89-1425	12-TT-PC	2/3 Circle	White
89-1422	12-TQ-PC	3/4 Circle	White
89-1419	12-F-PC	Full-circle	White

10' SERIES WITH 12° TRAJECTORY			
Part No.	Model No.	Description	Screen(s)
89-1452	10-Q-PC	1/4 Circle	White
89-1449	10-T-PC	1/3 Circle	White
89-1446	10-H-PC	1/2 Circle	White
89-1443	10-TT-PC	2/3 Circle	White
89-1440	10-TQ-PC	3/4 Circle	White
89-1437	10-F-PC	Full-circle	White

8' SERIES WITH 5° TRAJECTORY			
Part No.	Model No.	Description	Screen(s)
89-1470	8-Q-PC	1/4 Circle	Red
89-1467	8-T-PC	1/3 Circle	Red
89-1464	8-H-PC	1/2 Circle	Red
89-1461	8-TT-PC	2/3 Circle	Red
89-1458	8-TQ-PC	3/4 Circle	Red
89-1455	8-F-PC	Full-circle	Red

5' SERIES WITH 0° TRAJECTORY			
Part No.	Model No.	Description	Screen(s)
89-1488	5-Q-PC	1/4 Circle	Red & Metal
89-1485	5-T-PC	1/3 Circle	Red & Metal
89-1482	5-H-PC	1/2 Circle	Red & Metal
89-1479	5-TT-PC	2/3 Circle	Red & Metal
89-1476	5-TQ-PC	3/4 Circle	Red & Metal
89-1473	5-F-PC	Full-circle	Red & Metal

SPECIAL PATTERNS			
Part No.	Model No.	Description	Screen(s)
89-1503	4x30-SST-PC	Side Strip, 4' x 30'	Red
89-1500	4x30-EST-PC	End Strip, 4' x 15'	White
89-1497	4x30-CST-PC	Center Strip, 4' x 30'	White
89-1506	9x18-SST-PC	Side Strip, 9' x 18'	White
89-1509	4x18-SST-PC	Side Strip, 4' x 18'	Red
89-1512	2x6-SST-PC	Side Strip, 2' x 6'	Red & Metal

570 Stream Spray – Standard

10° STREAM SPRAY – STANDARD			
Part No.	Model No.	Description	Screen(s)
89-1803	10-SSF	Stream Spray, 360°	Red & Metal
89-1804	10-SSH	Stream Spray, 180°	Red & Metal
89-1805	10-SSQ	Stream Spray, 90°	Red & Metal

35° STREAM SPRAY – STANDARD			
Part No.	Model No.	Description	Screen(s)
89-1800	35-SSF	Stream Spray, 360°	Red & Metal
89-1801	35-SSH	Stream Spray, 180°	Red & Metal
89-1802	35-SSQ	Stream Spray, 90°	Red & Metal

570 Stream Spray – Pressure Comp.

10° STREAM SPRAY – PRESSURE COMPENSATING			
Part No.	Model No.	Description	Screen(s)
89-1519	10-SSF-PC	Stream Spray, 360°	Red & Metal
89-1521	10-SSH-PC	Stream Spray, 180°	Red & Metal
89-1547	10-SSQ-PC	Stream Spray, 90°	Red & Metal

35° STREAM SPRAY – PRESSURE COMPENSATING			
Part No.	Model No.	Description	Screen(s)
89-1491	35-SSF-PC	Stream Spray, 360°	Red & Metal
89-1493	35-SSH-PC	Stream Spray, 180°	Red & Metal
89-1495	35-SSQ-PC	Stream Spray, 90°	Red & Metal

570 Flat Spray – Standard

FLAT SPRAY – STANDARD			
Part No.	Model No.	Description	Screen(s)
35-2748	FSQ	Flat Spray, 90°	White
35-2747	FSH	Flat Spray, 180°	White
35-2746	FSF	Flat Spray, 360°	White
35-4245	FSQ-LG	Flat Spray, 90° Low GPM	Red & Metal
35-4246	FSH-LG	Flat Spray, 180° Low GPM	Red & Metal
35-4247	FSF-LG	Flat Spray, 360° Low GPM	Red & Metal

570 Flat Spray – Pressure Compensating

FLAT SPRAY – PRESSURE COMPENSATING			
Part No.	Model No.	Description	Screen(s)
35-7704	FSQ-PC	Flat Spray, 90°	White
35-7700	FSH-PC	Flat Spray, 180°	White
35-7698	FSF-PC	Flat Spray, 360°	White
35-7712	FSQ-LG-PC	Flat Spray, 90° Low GPM	Red & Metal
35-7708	FSH-LG-PC	Flat Spray, 180° Low GPM	Red & Metal
35-7706	FSF-LG-PC	Flat Spray, 360° Low GPM	Red & Metal

570 Flood Bubbler – Pressure Comp.

FLOOD BUBBLER – PRESSURE COMPENSATING			
Part No.	Model No.	Description	Screen(s)
89-1727	FB-25-PC	Flood Bubbler, .25 GPM	Red & Metal
89-1729	FB-50-PC	Flood Bubbler, .50 GPM	Red & Metal
89-1731	FB-100-PC	Flood Bubbler, 1.00 GPM	Red & Metal
89-1733	FB-200-ADJ-PC		

570 Stream Bubblers – Standard

STREAM BUBBLER NOZZLES			
Part No.	Model No.	Description	Screen(s)
89-1806	SB-90	1/4 Circle	White
89-1807	SB-180	1/2 Circle	White
89-1808	SB-360	Full-circle	White
89-1809	SB-2-180	1/2 Circle, 2 Stream	White
89-1810	SB-4-180	1/2 Circle, 4 Stream	White

570 Stream Bubblers – Pressure Comp.

STREAM BUBBLER NOZZLES			
Part No.	Model No.	Description	Screen(s)
89-7865	SB-90-PC2	1/4 Circle	White
89-7875	SB-180-PC2	1/2 Circle	White
89-7877	SB-360-PC2	Full-circle	White
89-7871	SB-2-180-PC2	1/2 Circle, 2 Stream	White
89-7873	SB-4-180-PC2	1/2 Circle, 4 Stream	White

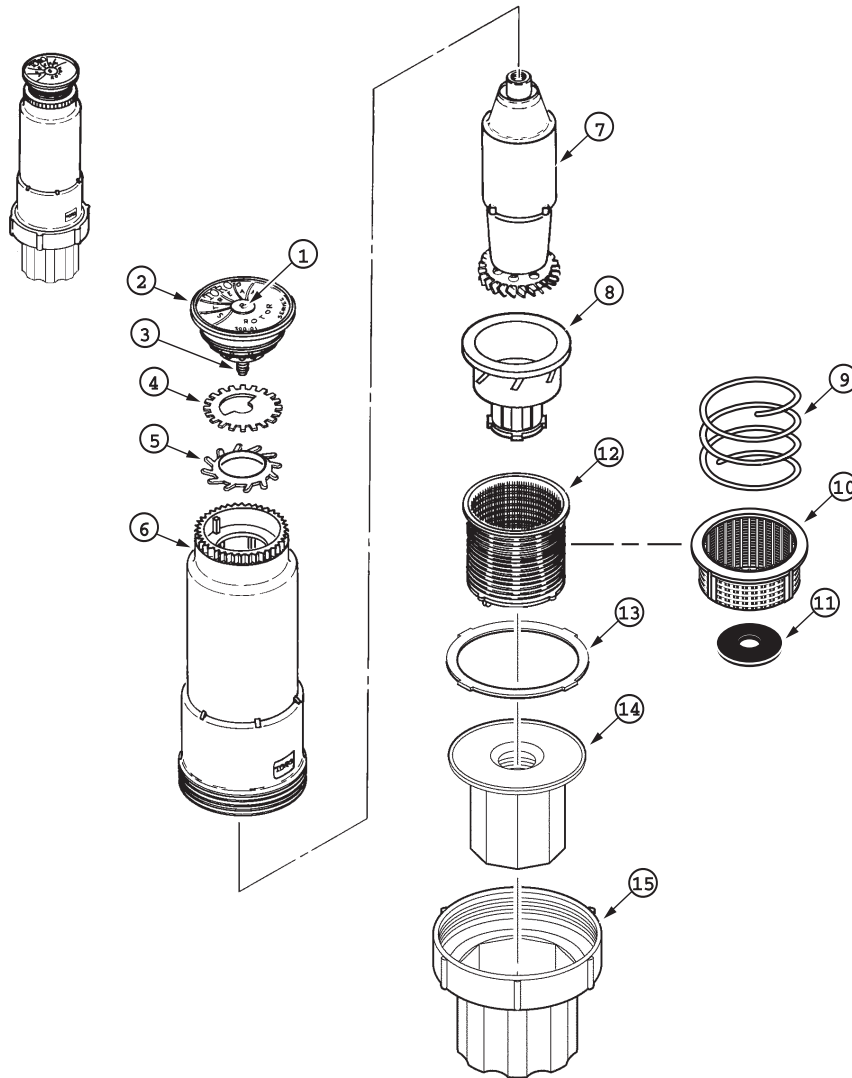
570 Pressure Compensating Devices

PRESSURE COMPENSATING DEVICES			
Model No.	Description	Model No.	Description
PCD-.25	.25 GPM	PCD-1.4	1.4 GPM
PCD-.50	.50 GPM	PCD-2.0	2.0 GPM
PCD-.70	.70 GPM	PCD-3.0	3.0 GPM
PCD-1.0	1.0 GPM		

Variable Arc Nozzles (TVANs)

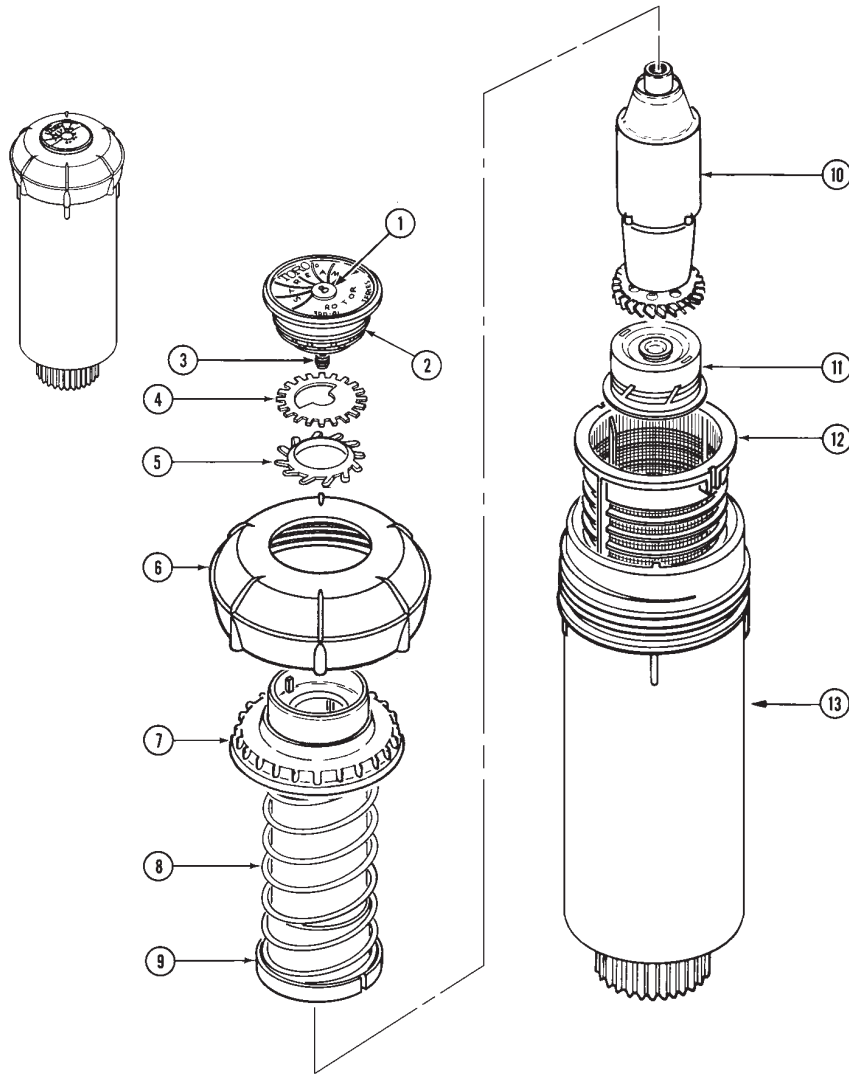
TORO ADJUSTABLE ARC NOZZLES	
Model No.	Description
TVAN-8	8' Variable Arc Pattern (Includes Screen)
TVAN-10	10' Variable Arc Pattern (Includes Screen)
TVAN-12	12' Variable Arc Pattern (Includes Screen)
TVAN-15	15' Variable Arc Pattern (Includes Screen)
TVAN-17	18' Variable Arc Pattern (Includes Screen)

300 Shrub



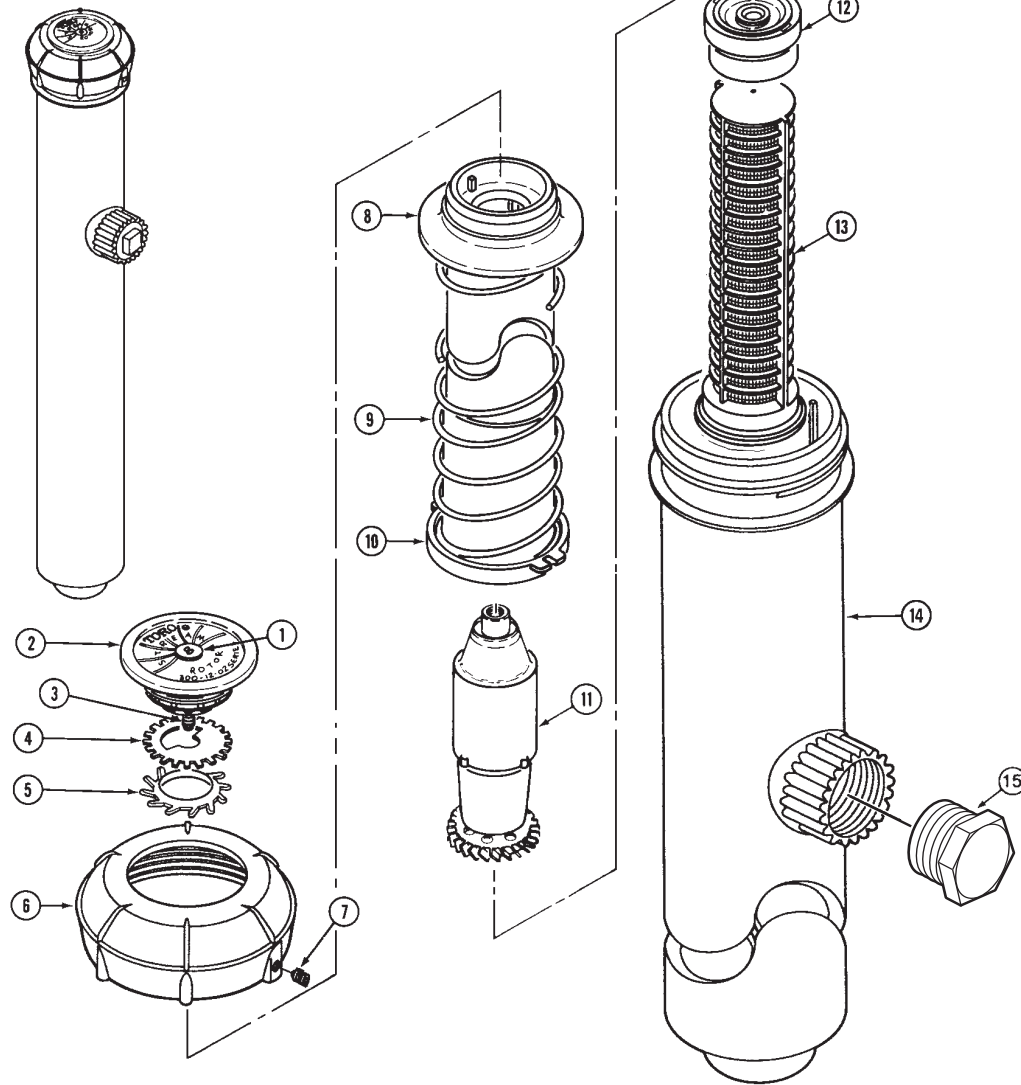
Item No.	Part No.	Description	Quantity Per Assy.
1	-----	Plug, Cap, Nozzle (See p. 9)	1
2	-----	Nozzle Assy. (See p. 9) (Includes Items 1 & 3)	1
3	360-0272	Screw, Machine, Nozzle, 8-32 x 7/8"	1
4	-----	Disc, Arc (See p. 9)	1
5	9-2825	Seal, Nozzle	1
6	9-5210	Body, Shrub	1
7	9-2829	Drive Assy., 300 Series	1
8	89-6929	Stator Assy., Shrub	1
9	102-0579	Spring, COM	1
10	102-0575	Screen, Basket, COM	1
11	89-7561	Seal, COM	1
12	9-5212	Screen, Basket	1
13	9-5211	Seal	1
14	89-6094	Threaded Insert, 3/4" & 1/2"	1
14	102-0577	Threaded Insert, 3/4" & 1/2", COM	1
15	89-8305	Base, Shrub	1
		SERVICE ITEMS	
	9-5209	Base, Shrub (Pre-10/97)	
	9-5698	Insert, 1/2"	
	9-5699	Insert, 3/4"	

300 Lawn



Item No.	Part No.	Description	Quantity Per Assy.
1	-----	Plug, Cap, Nozzle (See p. 9)	1
2	-----	Nozzle Assy. (See p. 9) (Includes Items 1 & 3)	1
3	360-0272	Screw, Machine, Nozzle, 8-32 x 7/8"	1
4	-----	Disc, Arc (See p. 9)	1
5	9-2825	Seal, Nozzle	1
6	9-4394	Cap	1
7	9-4449	Seal, Riser	1
8	9-2137	Spring, Retraction	1
9	9-2836	Riser	1
10	9-2829	Drive Assy.	1
11	9-5181	Stator Assy.	1
12	9-2131	Screen, Basket	1
13	9-1661	Body	1
		SERVICE ITEMS	
	9-6472	Riser Assy. (Includes Items 9, 10 & 11)	

300 High-pop



Item No.	Part No.	Description	Quantity Per Assy.
1	-----	Plug, Cap, Nozzle (See p. 9)	1
2	-----	Nozzle Assy. (See p. 9) (Includes Items 1 & 3)	1
3	360-0272	Screw, Machine, Nozzle, 8-32 x 7/8"	1
4	-----	Disc, Arc (See p. 9)	1
5	9-2825	Seal, Nozzle	1
6	35-0481	Cap Assy., High-pop (Includes Item 7)	1
7	360-0223	Screw, Set, Half-dog Point, 6-32 x 1/4"	1
8	9-4572	Seal, Riser	1
9	35-7579	Spring, Retraction	1
10	9-4570	Riser	1
11	9-2829	Drive Assy.	1
12	9-5683	Stator Assy.	1
13	9-4571	Screen, Basket	1
14	89-1960	Body, HP w/Side Inlet	1
15	363-3779	Plug, 3/4" NPT	1
		SERVICE ITEMS	
	9-5690	Riser Assy. (Includes Items 10, 11 & 12)	

300/340 Series Nozzle and Arc Disc Components

Nozzle Assembly - Lawn and Shrub (Nozzle Only)

Order No.	Description
9-2833	Nozzle Assy., Small (01)
9-2834	Nozzle Assy., Medium (02)
9-2835	Nozzle Assy., Large (03)
9-7050	Nozzle Assy., Low Gallonage, 6-Port (63)
9-7053	Nozzle Assy., Low Gallonage, 9-Port (93)

Nozzle Cap Plug

Order No.	Description
9-3346	Plug, Cap, Nozzle, No. 4
9-3347	Plug, Cap, Nozzle, No. 8
9-3348	Plug, Cap, Nozzle, No. 12
9-3351	Plug, Cap, Nozzle, No. 16
9-7048	Plug, Cap, Nozzle, Blank
89-7889	Plug, Cap, Nozzle, Effluent, Lavender

Nozzle Assembly - Lawn and Shrub (Includes Nozzle, Cap Plug and Screw)

Order No.	Description
*300-11	Nozzle Assy., 01 w/Blank Cap Plug
*300-12	Nozzle Assy., 02 w/Blank Cap Plug
*300-13	Nozzle Assy., 03 w/Blank Cap Plug
*300-63-1	Nozzle Assy., 63 w/Blank Cap Plug
*300-93-1	Nozzle Assy., 93 w/Blank Cap Plug
*308-01	Nozzle Assy., 01 w/No. 8 Cap Plug
*308-02	Nozzle Assy., 02 w/No. 8 Cap Plug
*308-03	Nozzle Assy., 03 w/No. 8 Cap Plug
*316-01	Nozzle Assy., 01 w/No. 16 Cap Plug
*316-02	Nozzle Assy., 02 w/No. 16 Cap Plug
*316-03	Nozzle Assy., 03 w/No. 16 Cap Plug

Nozzle Assembly - High-pop (Includes Nozzle, Cap Plug and Screw)

Order No.	Description
*300-21	Nozzle Assy., 01 w/Blank Cap Plug
*300-22	Nozzle Assy., 02 w/Blank Cap Plug
*300-23	Nozzle Assy., 03 w/Blank Cap Plug
*300-63-12	Nozzle Assy., 63 w/Blank Cap Plug
*300-93-12	Nozzle Assy., 93 w/Blank Cap Plug

Omni Nozzle Assembly (Adjustable)

Order No.	Description
*300-15	Adjustable Stream Rotor Nozzle Standard and Shrub
*300-25	Adjustable Stream Rotor Nozzles High Pop

Arc Disc - Stainless Steel (See Note Below)

Order No.	Description
*304-00	Disc, Arc, 90°
*305-00	Disc, Arc, 112°
*306-00	Disc, Arc, 135°
*307-00	Disc, Arc, 157°
*308-00	Disc, Arc, 180°
*309-00	Disc, Arc, 202°
*310-00	Disc, Arc, 225°
*312-00	Disc, Arc, 270°
*316-00	Disc, Arc, 360°

Note: Nozzle Seal 9-2825 must be used with stainless steel Arc Disc.

Arc Disc Tree- Plastic (See Note Below)

Order No.	Description
*304-09	Tree, Plastic Arc Disc (Includes all discs)

Note: Nozzle seal 9-2825 is not used with plastic Arc Disc.

Arc Disc Organizer

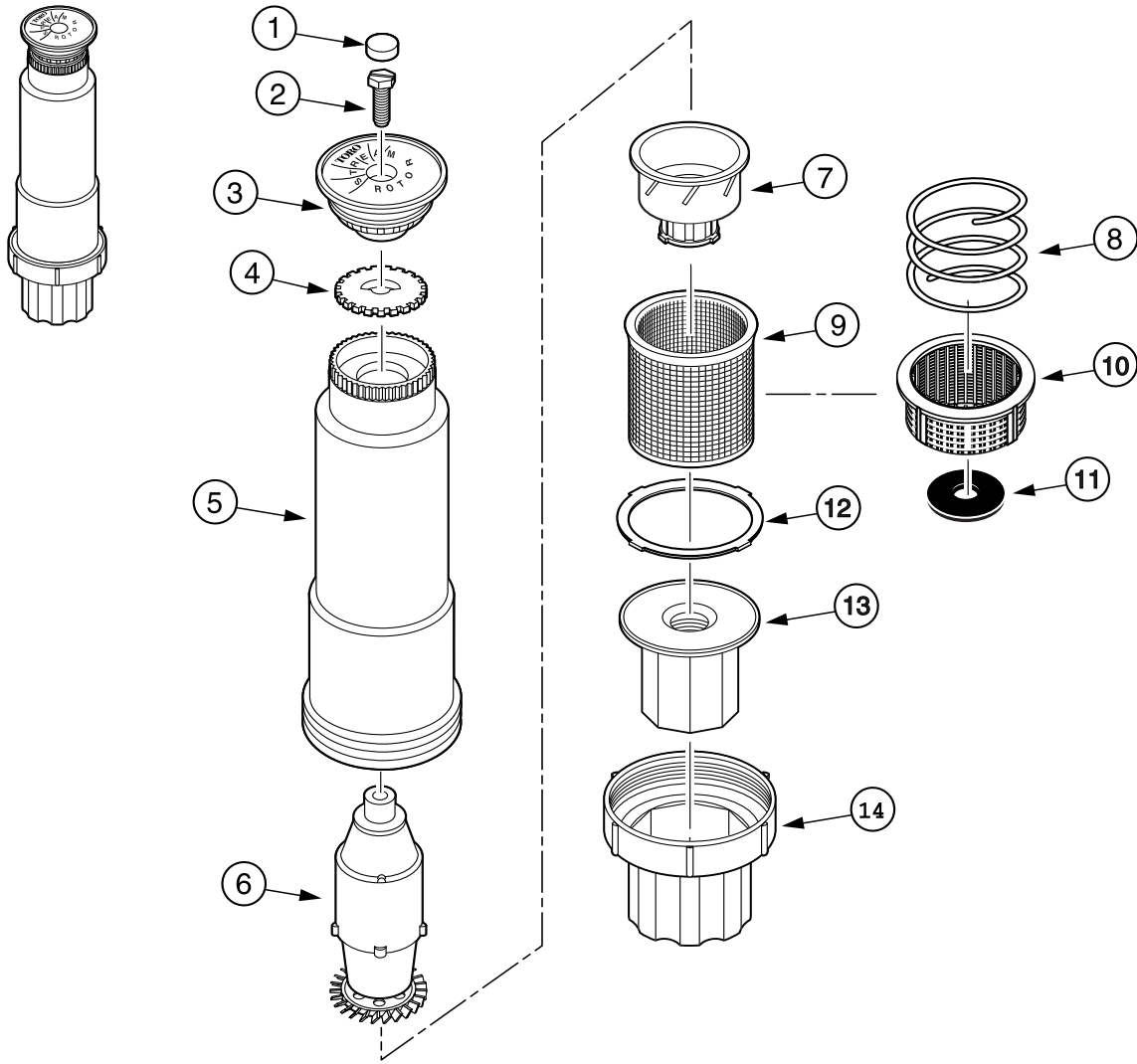
Order No.	Description
*850-65	Stream Rotor Arc Disc Organizer

Effluent Water Indicators

Order No.	Description
*89-7853	Omni Nozzle Cover (Lawn and Shrub)
*89-7854	Omni Nozzle Cover (High-pop)
*89-7889	300 Stream Rotor Plug (Fixed Radius Nozzles)
*89-9097	Base, Shrub

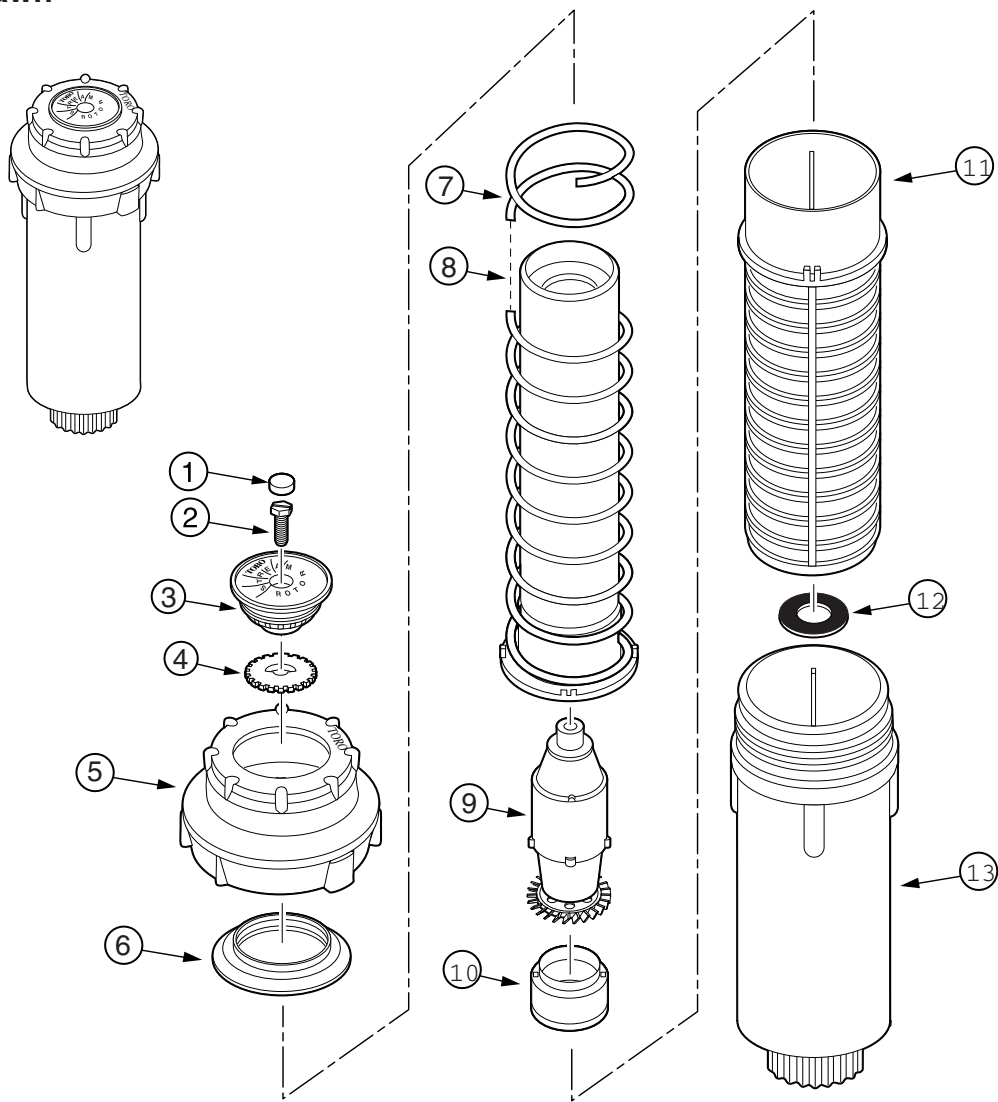
* Order Through Finished Goods Distribution System—Minneapolis

340 Shrub



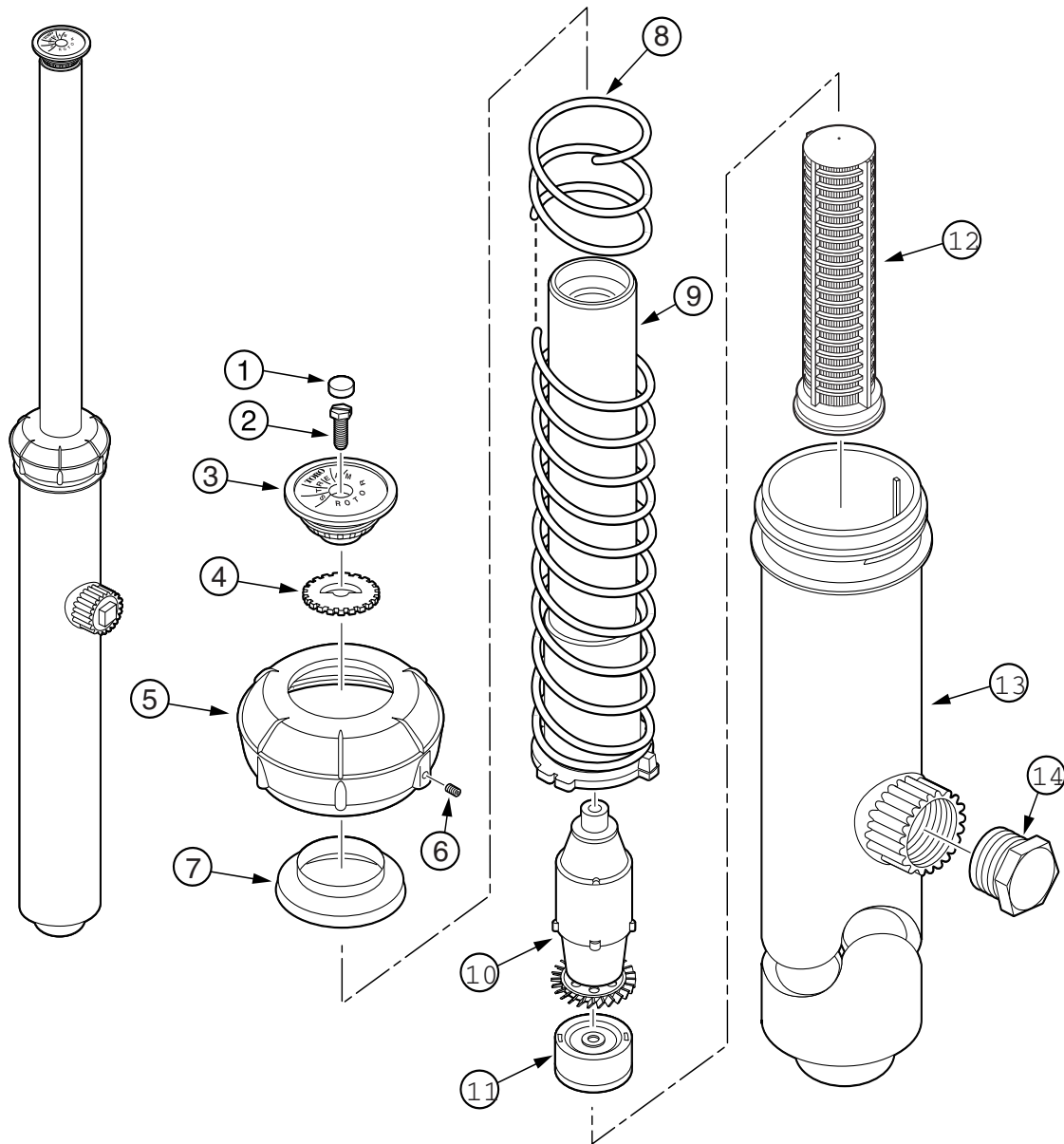
Item No.	Part No.	Description	Quantity Per Assy.
1	-----	Plug, Cap, Nozzle (See p. 9)	1
2	360-0272	Screw, Machine, Nozzle, 8-32 x 7/8"	1
3	-----	Nozzle Assy. (See p. 9) (Includes Items 1 & 2)	1
4	-----	Disc, Arc (See p. 9)	1
5	9-5210	Body, Shrub	1
6	35-8580	Drive Assy., 340/XP300	1
7	89-6929	Stator Assy., Shrub	1
8	102-0579	Spring, COM	1
9	9-5212	Screen, Basket	1
10	102-0575	Screen, COM	1
11	89-7561	Seal, COM	1
12	9-5211	Seal	1
13	89-6094	Threaded Insert, 3/4" & 1/2"	1
13	102-0577	Threaded Insert, 3/4" & 1/2", COM	1
14	89-8305	Base, Shrub	1

340 Lawn



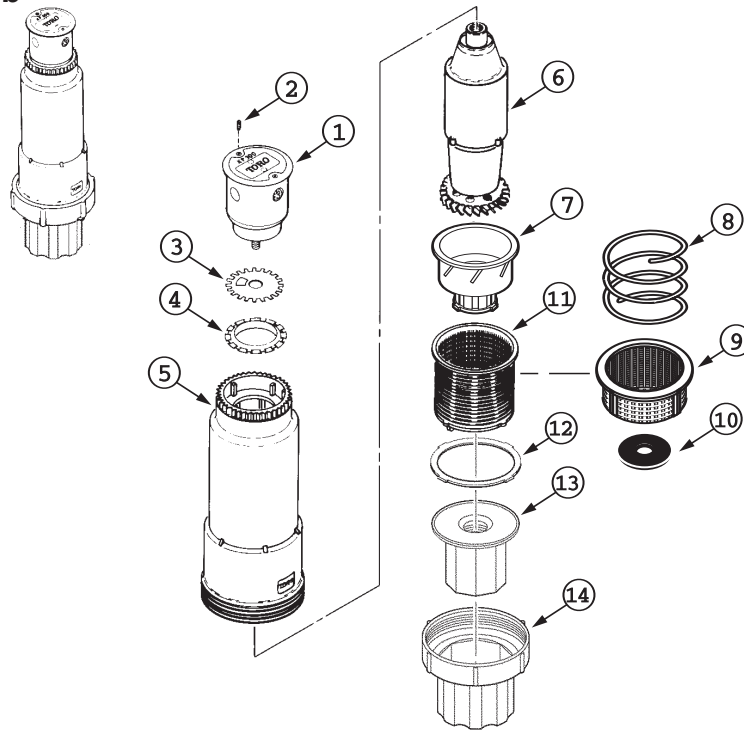
Item No.	Part No.	Description	Quantity Per Assy.
1	-----	Plug, Cap, Nozzle (See p. 9)	1
2	360-0272	Screw, Machine, Nozzle, 8-32 x 7/8"	1
3	-----	Nozzle Assy. (See p. 9) (Includes Items 1 & 2)	1
4	-----	Disc, Arc (See p. 9)	1
5	35-8962	Cap, Lawn	1
6	89-2037	Seal, Riser	1
7	89-2039	Spring, Return	1
8	89-2035	Riser	1
9	35-8580	Drive Assy., 340/XP300	1
10	89-9761	Stator Assy., Variable, 340 (Includes Service 89-1918 [Stator Housing] & 89-1919 [Stator Diaphragm])	1
11	89-2036	Screen, Basket	1
12	89-9841	Seal, Check	1
13	9-1661	Body	1

340 High-pop



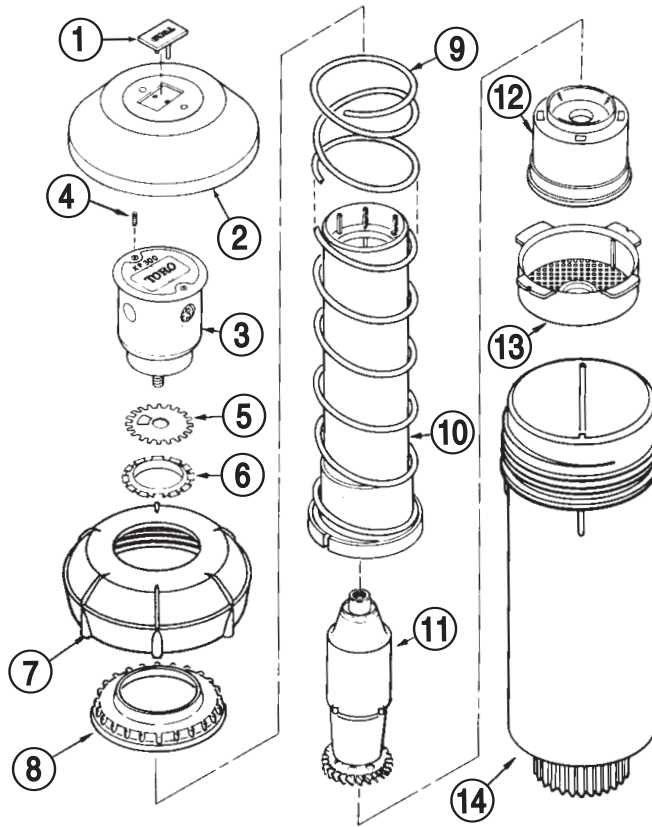
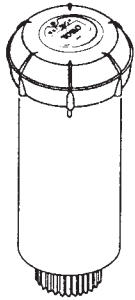
Item No.	Part No.	Description	Quantity Per Assy.
1	-----	Plug, Cap, Nozzle (See p. 9)	1
2	360-0272	Screw, Machine, Nozzle, 8-32 x 7/8"	1
3	-----	Nozzle Assy. (See p. 9) (Includes Items 1 & 2)	1
4	-----	Disc, Arc (See p. 9)	1
5	35-0481	Cap Assy., High-pop, (Includes Item 6)	1
6	360-0223	Screw, Set, Half-dog Point, 6-32 x 1/4"	1
7	9-4572	Seal, Riser	1
8	35-7579	Spring, Return	1
9	9-4570	Riser	1
10	35-8580	Drive Assy., 340/XP300	1
11	9-5683	Stator Assy., Variable	1
12	9-4571	Screen, Basket	1
13	89-1960	Body, HP w/Side Inlet	1
14	363-3779	Plug, 3/4" NPT	1

XP-300 Shrub



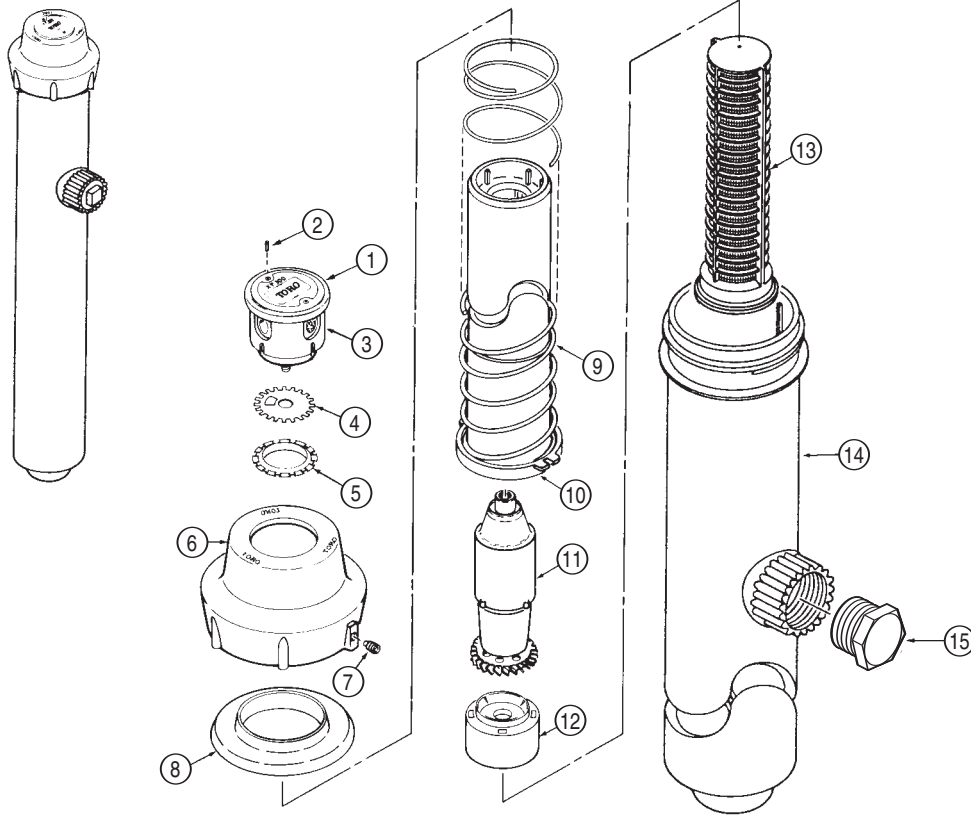
Item No.	Part No.	Description	Quantity Per Assy.
1	*35-5460	Nozzle Assy., 5.0 GPM	1
1	*XP300-02	Nozzle Assy., 7.0 GPM	1
1	*XP300-03	Nozzle Assy., 9.0 GPM	1
1	*XP300-04	Nozzle Assy., 10.0 GPM	1
2	360-0223	Screw, Set, Half-dog Point, 6-32 x 1/4"	2
3	*XP304-00	Disc, Arc, 90°	1
3	*XP305-00	Disc, Arc, 115°	1
3	*XP306-00	Disc, Arc, 140°	1
3	*XP307-00	Disc, Arc, 165°	1
3	*XP308-00	Disc, Arc, 180°	1
3	*XP309-00	Disc, Arc, 195°	1
3	*XP310-00	Disc, Arc, 210°	1
3	*XP311-00	Disc, Arc, 225°	1
3	*XP312-00	Disc, Arc, 250°	1
3	*XP313-00	Disc, Arc, 270°	1
3	*XP314-00	Disc, Arc, 360°	1
4	35-2137	Seal	1
5	35-2187	Body, Shrub	1
6	35-8580	Drive Assy., 340/XP300	1
7	89-6929	Stator Assy.	1
8	102-0579	Spring, COM	1
9	102-0575	Screen, Basket, COM	1
10	89-7561	Seal, Check, COM	1
11	9-5212	Screen, Basket	1
12	9-5211	Seal	1
13	89-6094	Threaded Insert, 3/4" & 1/2"	1
13	102-0577	Threaded Insert, 3/4" & 1/2", COM	1
14	89-8305	Base, Shrub	1
		SERVICE ITEMS	
	9-5209	Base, Shrub (Pre-10/97)	
	9-5698	Insert, 1/2"	
	9-5699	Insert, 3/4"	
	89-3816	Cover, Lavender, XP300/S600/S700	
		* Order Through Finished Goods Distribution System—Minneapolis	

XP-300 Lawn



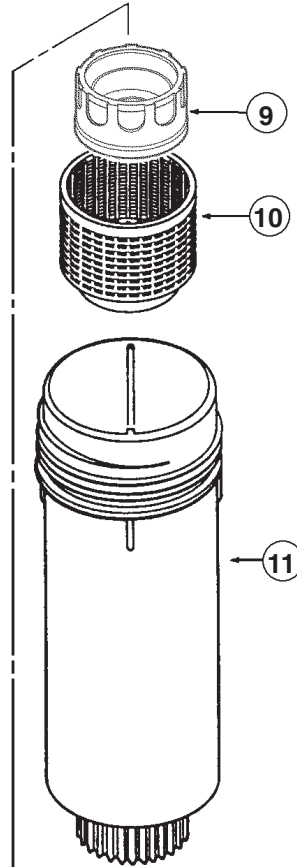
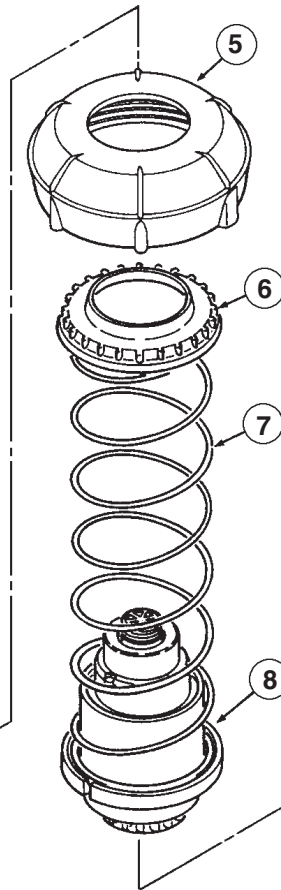
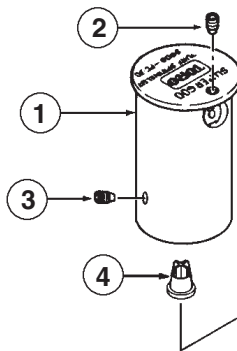
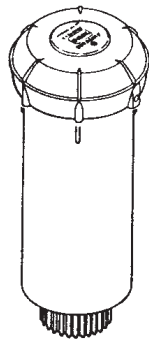
Item No.	Part No.	Description	Quantity Per Assy.
1	35-1776	Plug, Retainer, Rubber Cover (See Service Item 600-01)	1
2	35-1565	Cover, Rubber (See Service Item 600-01)	1
3	*35-5460	Nozzle Assy., 5.0 GPM	1
3	*XP300-02	Nozzle Assy., 7.0 GPM	1
3	*XP300-03	Nozzle Assy., 9.0 GPM	1
3	*XP300-04	Nozzle Assy., 10.0 GPM	1
4	360-0223	Screw, Set, Half-dog Point, 6-32 x 1/4"	2
5	*XP304-00	Disc, Arc, 90°	1
5	*XP305-00	Disc, Arc, 115°	1
5	*XP306-00	Disc, Arc, 140°	1
5	*XP307-00	Disc, Arc, 165°	1
5	*XP308-00	Disc, Arc, 180°	1
5	*XP309-00	Disc, Arc, 195°	1
5	*XP310-00	Disc, Arc, 210°	1
5	*XP311-00	Disc, Arc, 225°	1
5	*XP312-00	Disc, Arc, 250°	1
5	*XP313-00	Disc, Arc, 270°	1
5	*XP314-00	Disc, Arc, 360°	1
6	35-2137	Seal	1
7	9-4394	Cap	1
8	9-4449	Seal, Riser	1
9	9-2137	Spring, Return	1
10	35-2138	Riser	1
11	35-8580	Drive Assy., 340/XP300	1
12	35-2858	Stator Assy.	1
13	35-2136	Screen, Basket	1
14	9-1661	Body	1
		SERVICE ITEMS	
	600-01	Kit, Rubber Cover (Includes Items 1, 2 and 7)	
	89-3816	Cover, Lavender, XP300/S600/S700 (Replaces Item 1)	
		* Order Through Finished Goods Distribution System—Minneapolis	

XP-300 High-pop



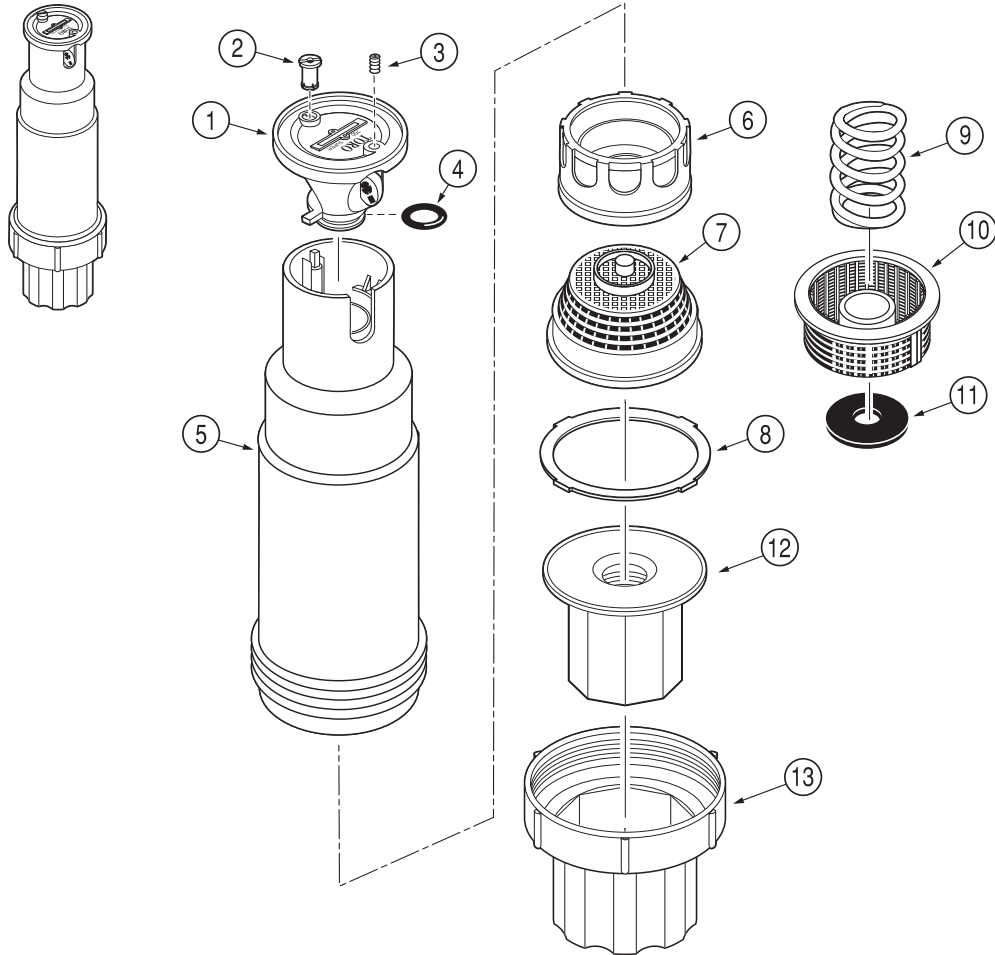
Item No.	Part No.	Description	Quantity Per Assy.
1	*35-5460	Nozzle Assy., 5.06 GPM	1
1	*35-2249	HP Nozzle Sleeve	1
1	*XP312-02	Nozzle Assy., with sleeve, 7.0 (Includes Items 1-3)	1
1	*XP312-03	Nozzle Assy., with sleeve, 9.0 (Includes Items 1-3)	1
1	*XP312-04	Nozzle Assy., with sleeve, 10.0 (Includes Items 1-3)	1
2	360-0223	Screw, Set, Half-dog Point, 6-32 x 1/4"	1
3	35-2249	Sleeve, Nozzle	1
4	*XP304-00	Disc, Arc, 90°	1
4	*XP305-00	Disc, Arc, 115°	1
4	*XP306-00	Disc, Arc, 140°	1
4	*XP307-00	Disc, Arc, 165°	1
4	*XP308-00	Disc, Arc, 180°	1
4	*XP309-00	Disc, Arc, 195°	1
4	*XP310-00	Disc, Arc, 210°	1
4	*XP311-00	Disc, Arc, 225°	1
4	*XP312-00	Disc, Arc, 250°	1
4	*XP313-00	Disc, Arc, 270°	1
4	*XP314-00	Disc, Arc, 360°	1
5	35-2137	Seal	1
6	35-4515	Cap, Locking w/Set Screw	1
7	360-0223	Screw, Set, Half-dog Point, 6-32 x 1/4"	1
8	35-3630	Seal, Riser	1
9	35-7579	Spring, Retraction	1
10	35-2247	Riser	1
11	35-8580	Drive Assy., 340/XP300	1
12	35-3822	Stator Assy.	1
13	9-4571	Screen, Basket	1
14	89-1960	Body, HP w/Side Inlet	1
15	363-3779	Plug, 3/4" NPT	1
	SERVICE ITEMS		
	89-3816	Cover, Lavender, XP300/S600/S700 (Inserts in Top of Nozzle)	
		* Order Through Finished Goods Distribution System-Minneapolis	

S600 Series



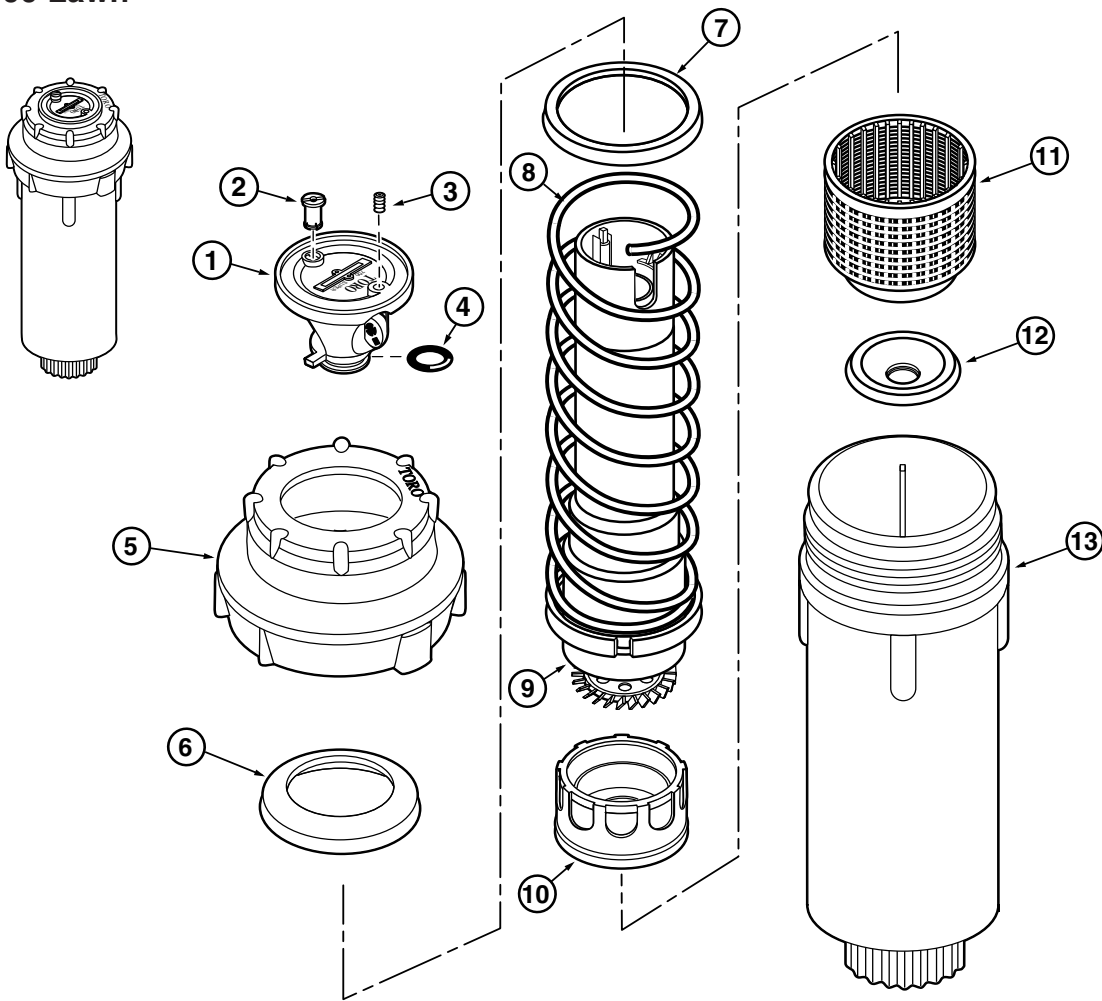
Item No.	Part No.	Description	Quantity Per Assy.
1	35-1213	Nozzle Assy., PC 1.3 (Includes Items 1-4)	1
1	35-1215	Nozzle Assy., PC 2.5 (Includes Items 1-4)	1
1	35-1217	Nozzle Assy., PC 5.0 (Includes Items 1-4)	1
1	35-1219	Nozzle Assy., FC 1.3 (Includes Items 1-4)	1
1	35-1221	Nozzle Assy., FC 2.5 (Includes Items 1-4)	1
1	35-1223	Nozzle Assy., FC 5.0 (Includes Items 1-4)	1
2	360-0223	Screw, Set, Half-dog Point, 6-32 x 1/4"	1
3	360-0223	Screw, Set, Half-dog Point, 6-32 x 1/4"	1
4	35-2852	Seal, Nozzle	1
5	9-4394	Cap (S600)	1
6	9-4395	Seal, Riser	1
7	9-1995	Spring, Retraction	1
8	35-2614	Drive Assy., FC	1
8	35-2613	Drive Assy., PC	1
9	35-6323	Stator Assembly, Variable	1
10	9-1691	Screen	1
11	9-1661	Body	1
		SERVICE ITEMS	
	600-01	Kit, Rubber Cover	
	840-01	Kit, Check Valve	
	89-0875	Restrictor, Low Pressure	
	35-1344	Cap Assy., Locking (S600C)	
	89-3816	Cover, Lavender, XP300/S600/S700 (Inserts in Top of Nozzle)	

S700 Shrub



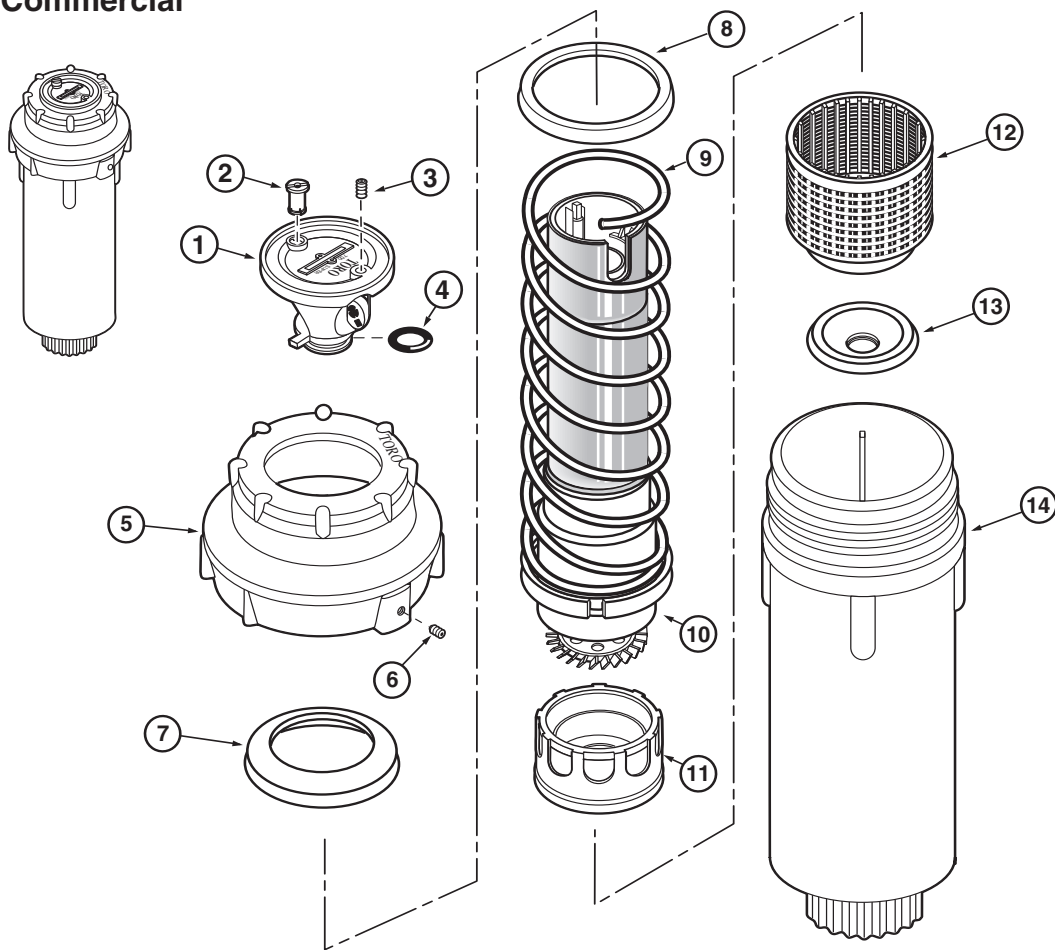
Item No.	Part No.	Description	Quantity Per Assy.
1	-----	Nozzle Assy. (Includes Items 1-4, see p. 21)	1
2	-----	Lock, Nozzle Pin (See p. 21)	1
3	-----	Screw, Set, Half-dog, 6-32 x 1/4" (See p. 21)	1
4	-----	O-Ring, .070" x .426" x .566" (White) (See p. 21)	1
5	35-8922	Body Assy., PC	1
5	35-8927	Body Assy., FC	1
6	35-6323	Stator Assy., Variable	1
7	89-1161	Screen, S700 Shrub	1
8	9-5211	Seal	1
9	102-0580	Spring, COM	1
10	102-0576	Screen, COM	1
11	89-7561	Seal, Check, COM	1
12	89-6094	Threaded Insert, 3/4" & 1/2"	1
12	102-0577	Threaded Insert, 3/4" & 1/2", COM	1
13	89-8305	Base, Shrub	1
		SERVICE ITEMS	
	9-5209	Base, Shrub (Pre-10/97)	
	9-5698	Threaded Insert, 1/2"	
	9-5699	Threaded Insert, 3/4"	
	89-3816	Cover, Lavender, XP300/S600/S700 (Inserts in Top of Nozzle).	
		SERVICE TOOLS	
	89-1375	Nozzle Tool & Wrench	

S700 Lawn



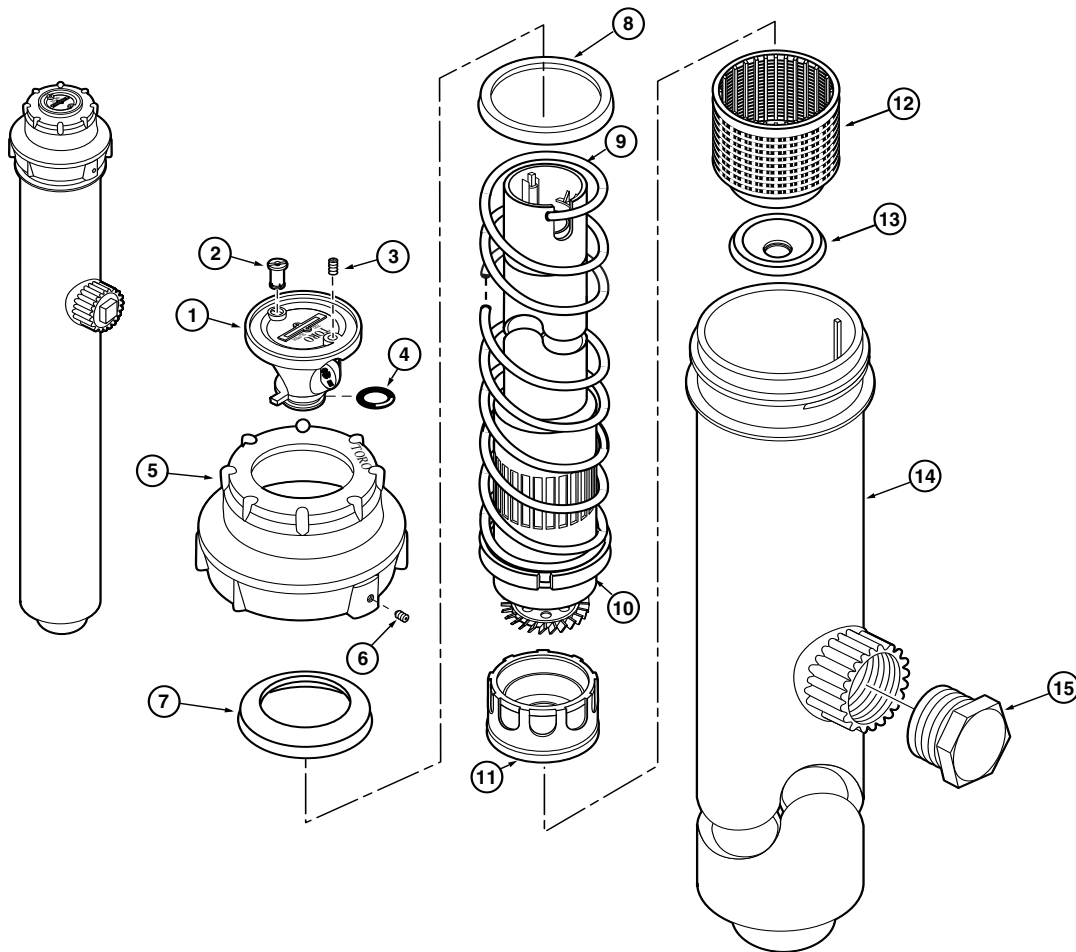
Item No.	Part No.	Description	Quantity Per Assy.
1	-----	Nozzle Assy. (Includes Items 1–4, see p. 21)	1
2	-----	Lock, Nozzle Pin (See p. 21)	1
3	-----	Screw, Set, Half-dog, 6-32 x 1/4" (See p. 21)	1
4	-----	O-Ring, 0.070" x 0.426" x 0.566" (White) (See p. 21)	1
5	35-8962	Cap, Lawn	1
6	35-3145	Seal, Riser	1
7	89-0995	Sleeve, Spring	1
8	35-4508	Spring, Retraction	1
9	35-8912	Riser Assy., FC	1
9	35-8913	Riser Assy., PC	1
10	35-6323	Stator Assy., Variable	1
11	9-1691	Screen	1
12	89-0266	Check Valve (COM Models Only)	1
13	9-1661	Body	1
		SERVICE ITEMS	
	700-10	Kit, Cover, Rubber	
	89-0323	Cover, Nozzle (For Use with Non-locking Nozzles Only)	
	89-0805	Restrictor, Low Pressure	
	89-3816	Cover, Lavender, XP300/S600/S700 (Inserts in Top of Nozzle)	
		SERVICE TOOLS	
	89-1375	Nozzle Tool & Wrench	

S700 Commercial



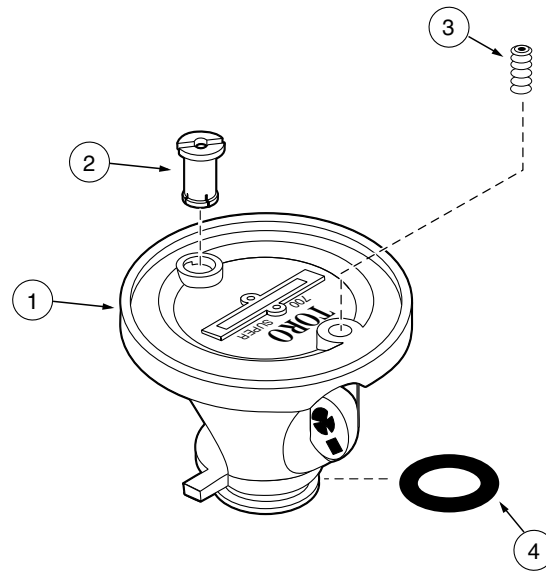
Item No.	Part No.	Description	Quantity Per Assy.
1	-----	Nozzle Assy. (Includes Items 1–4, see p. 21)	1
2	-----	Lock, Nozzle Pin (See p. 21)	1
3	-----	Screw, Set, Half-dog, 6-32 x1/4" (See p. 21)	1
4	-----	O-Ring, 0.070" x 0.426" x 0.566" (White) (See p. 21)	1
5	35-8963	Cap Assy., 700C Locking	1
6	360-0223	Screw, Set, Half-dog Point, 6-32 x 1/4"	1
7	35-8964	Seal, Riser (S700C)	1
8	89-0995	Sleeve, Spring	1
9	35-4508	Spring, Retraction	1
10	35-8931	Riser Assy., PC (w/Stainless Steel Sleeve)	1
10	35-8932	Riser Assy., FC (w/Stainless Steel Sleeve)	1
11	35-6323	Stator Assy., Variable	1
12	9-1691	Screen	1
13	89-0266	Check Valve	1
14	9-1661	Body	1
		SERVICE ITEMS	
	700-10	Kit, Cover, Rubber	
	89-0323	Cover, Nozzle (For Use with Non-locking Nozzles Only)	
	89-0805	Restrictor, Low Pressure	
	89-3816	Cover, Lavender, XP300/S600/S700 (Inserts in Top of Nozzle)	
		SERVICE TOOLS	
	89-1375	Nozzle Tool & Wrench	

S700 High-Pop



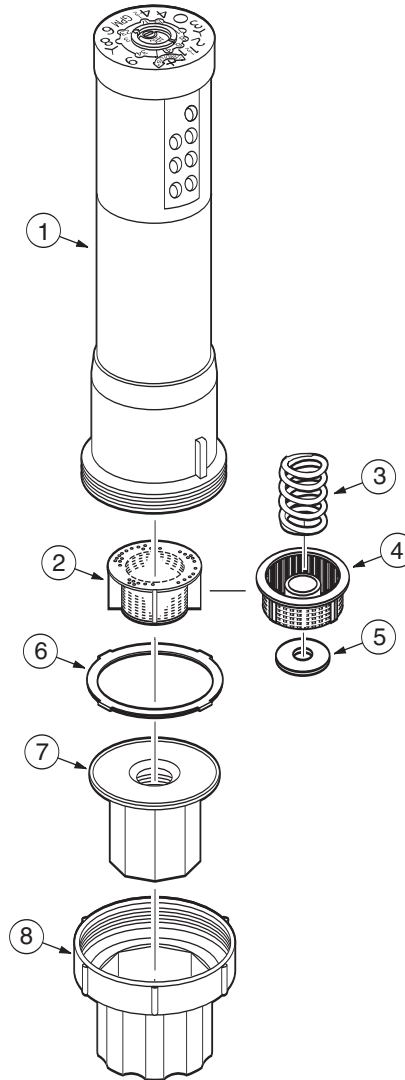
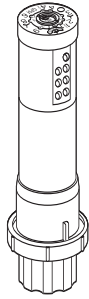
Item No.	Part No.	Description	Quantity Per Assy.
1	-----	Nozzle Assy. (See p. 21, Includes Items 1-4)	1
2	-----	Lock, Nozzle Pin (See p. 21)	1
3	-----	Screw, Set, Half-dog, 6-32 x 1/4" (See p. 21)	1
4	-----	O-Ring, 0.070" x 0.426" x 0.566" (White) (See p. 21)	1
5	89-0111	Cap, 700 Locking	1
6	360-0223	Screw, Set, Half-dog Point, 6-32 x 1/4"	1
7	35-3145	Seal, Riser	1
8	89-0995	Sleeve, Spring	1
9	35-5196	Spring, Retraction	1
10	35-8916	Riser Assy., PC	1
10	35-8918	Riser Assy., FC	1
11	35-6323	Stator Assy., Variable	1
12	9-1691	Screen	1
13	89-0266	Check Valve	1
14	89-1960	Body, HP w/Side Inlet	1
15	363-3779	Plug, 3/4" NPT Male	1
		SERVICE ITEMS	
	700-10	Kit, Cover, Rubber	
	89-0323	Cover, Nozzle (For Use with Non-locking Nozzles Only)	
	89-0805	Restrictor, Low Pressure	
	89-3816	Cover, Lavender, XP300/S600/S700 (Inserts in Top of Nozzle)	
		SERVICE TOOLS	
	89-1375	Nozzle Tool & Wrench	

S700 Nozzles



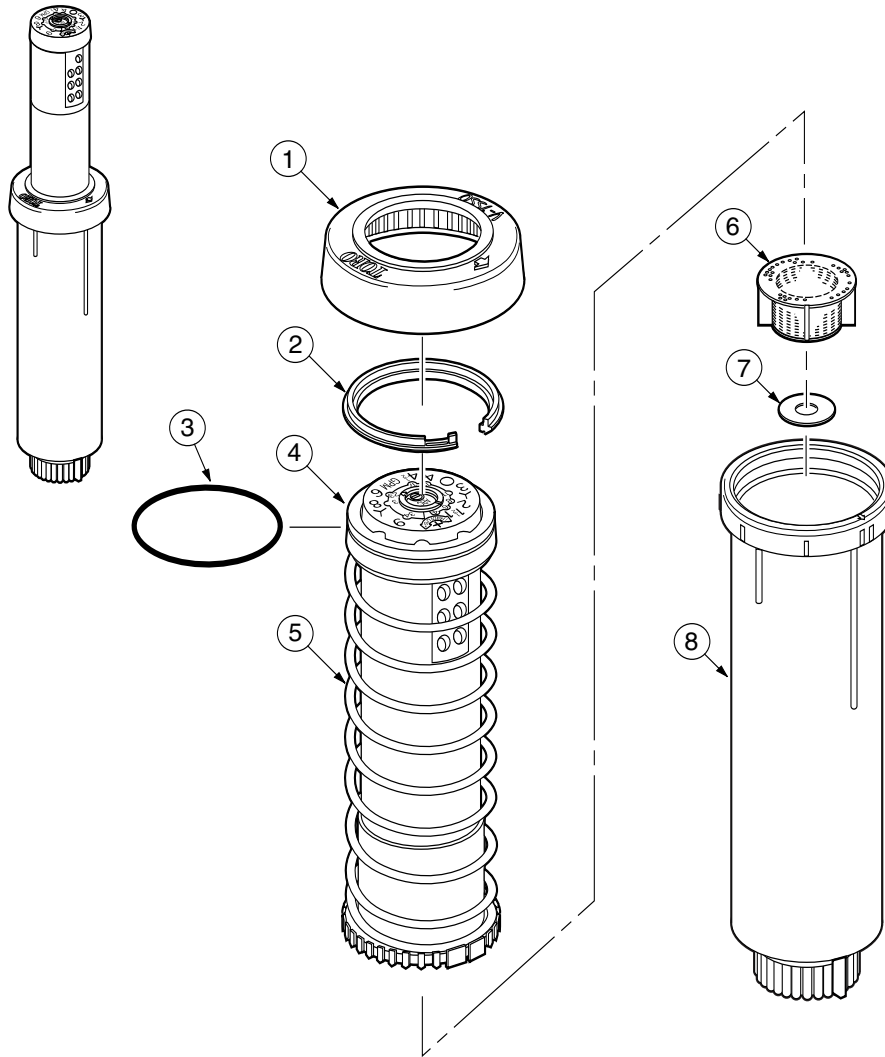
Item No.	Part No.	Description	Quantity Per Assy.
STANDARD ANGLE			
1	*89-0893L	Kit, Nozzle, 1.5, Orange (Includes Items 2–4)	1
1	*89-0894L	Kit, Nozzle, 2.0, Red (Includes Items 2–4)	1
1	*89-0895L	Kit, Nozzle, 3.0, Black (Includes Items 2–4)	1
1	*89-0896L	Kit, Nozzle, 4.5, Blue (Includes Items 2–4)	1
1	*89-0897L	Kit, Nozzle, 6.0, Green (Includes Items 2–4)	1
1	*89-0898L	Kit, Nozzle, 7.5, Tan (Includes Items 2–4)	1
1	*89-0899L	Kit, Nozzle, 9.0, Gray (Includes Items 2–4)	1
2	89-3003	Lock, Nozzle Pin, Standard Angle, Black	1
3	360-0223	Screw, Set, Half-dog Point, 6-32 x 1/4"	1
4	360-0494	O-Ring, .070" x .426" x .566" (White)	1
LOW ANGLE			
1	*89-1093L	Kit, Nozzle, 1.5, Orange (Includes Items 2–4)	1
1	*89-1095L	Kit, Nozzle, 2.0, Red (Includes Items 2–4)	1
1	*89-1097L	Kit, Nozzle, 3.0, Black (Includes Items 2–4)	1
1	*89-1099L	Kit, Nozzle, 4.5, Blue (Includes Items 2–4)	1
1	*89-1101L	Kit, Nozzle, 6.0, Green (Includes Items 2–4)	1
1	*89-1103L	Kit, Nozzle, 7.5, Tan (Includes Items 2–4)	1
1	*89-1105L	Kit, Nozzle, 9.0, Gray (Includes Items 2–4)	1
2	89-3748	Lock, Nozzle Pin, Low Angle, Gray	1
3	360-0223	Screw, Set, Half-dog Point, 6-32 x 1/4"	1
4	360-0494	O-Ring, .070" x .426" x .566" (White)	1
FLAT ANGLE			
1	*89-1936L	Kit, Nozzle, 1.5, Orange (Includes Items 2–4)	1
1	*89-1938L	Kit, Nozzle, 2.0, Red (Includes Items 2–4)	1
1	*89-1940L	Kit, Nozzle, 3.0, Black (Includes Items 2–4)	1
1	*89-1942L	Kit, Nozzle, 4.5, Blue (Includes Items 2–4)	1
1	*89-1944L	Kit, Nozzle, 6.0, Green (Includes Items 2–4)	1
1	*89-1946L	Kit, Nozzle, 7.5, Tan (Includes Items 2–4)	1
1	*89-1948L	Kit, Nozzle, 9.0, Gray (Includes Items 2–4)	1
2	89-3749	Lock, Nozzle Pin, Flat Angle, Beige	1
3	363-3214	Screw, Set, Half-dog, 5-40 x 3/8" (Black)	1
4	360-0494	O-Ring, .070" x .426" x .566" (White)	1
* Order Through Finished Goods Distribution System—Minneapolis			

V-1550-Shrub



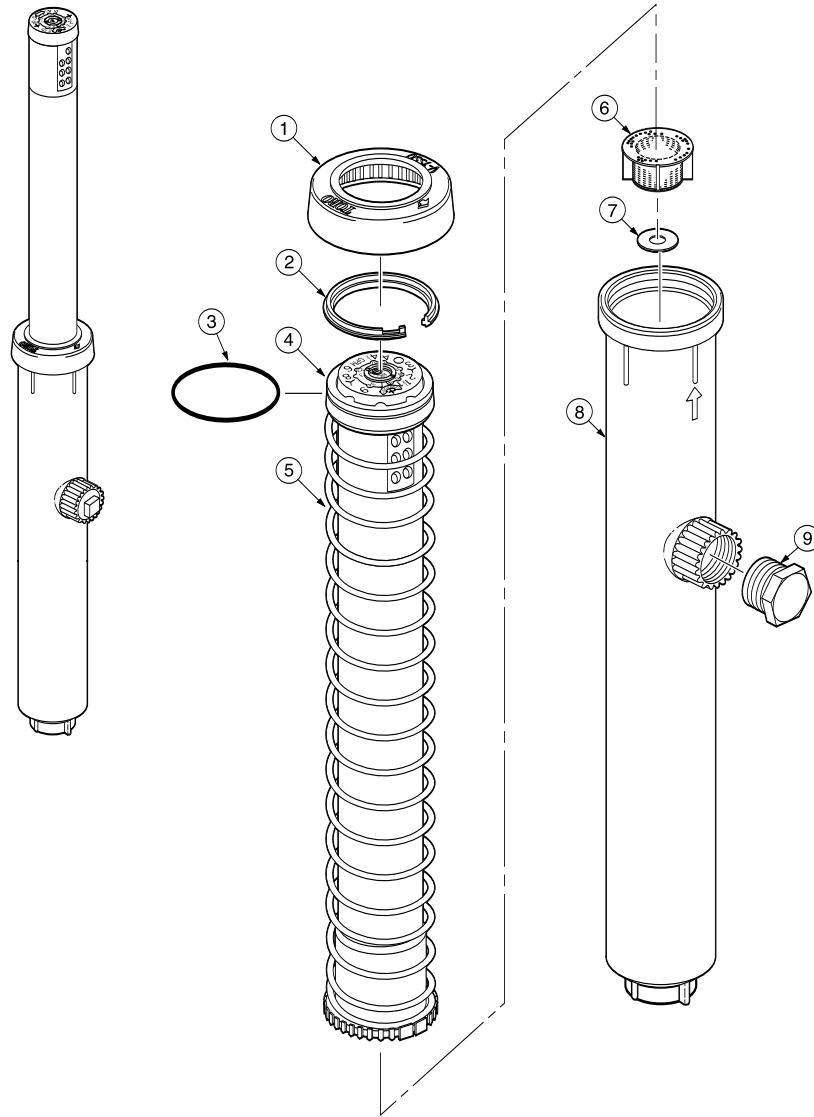
Item No.	Part No.	Description	Quantity Per Assy.
1	*V-1550-S	Body Assy., PC (Includes Items 2–8)	1
1	*V-1550-SF	Body Assy., FC (Includes Items 2–8)	1
1	*V-1550-SL	Body Assy., PC (w/Low-pressure Nozzle) (Includes Items 2–8)	1
1	*V-1550-SFL	Body Assy., FC (w/Low-pressure Nozzle) (Includes Items 2–8)	1
1	*V-1550	SCOM, Body Assy., PC (w/COM)	1
1	*V-1550	SFCOM, Body Assy., FC (w/COM)	1
2	89-5847	Screen	1
3	102-0581	Spring, COM	1
4	102-0576	Screen, COM	1
5	89-7561	Seal, Check, COM	1
6	9-5211	Seal	1
7	89-6094	Threaded Insert, 3/4" & 1/2"	1
7	102-0577	Threaded Insert, 3/4" & 1/2", COM	1
8	89-8305	Base, Shrub	1
		SERVICE TOOLS	
	89-7350	Adjustment Key	
		* Order Through Finished Goods Distribution System—Minneapolis	

V-1550-4



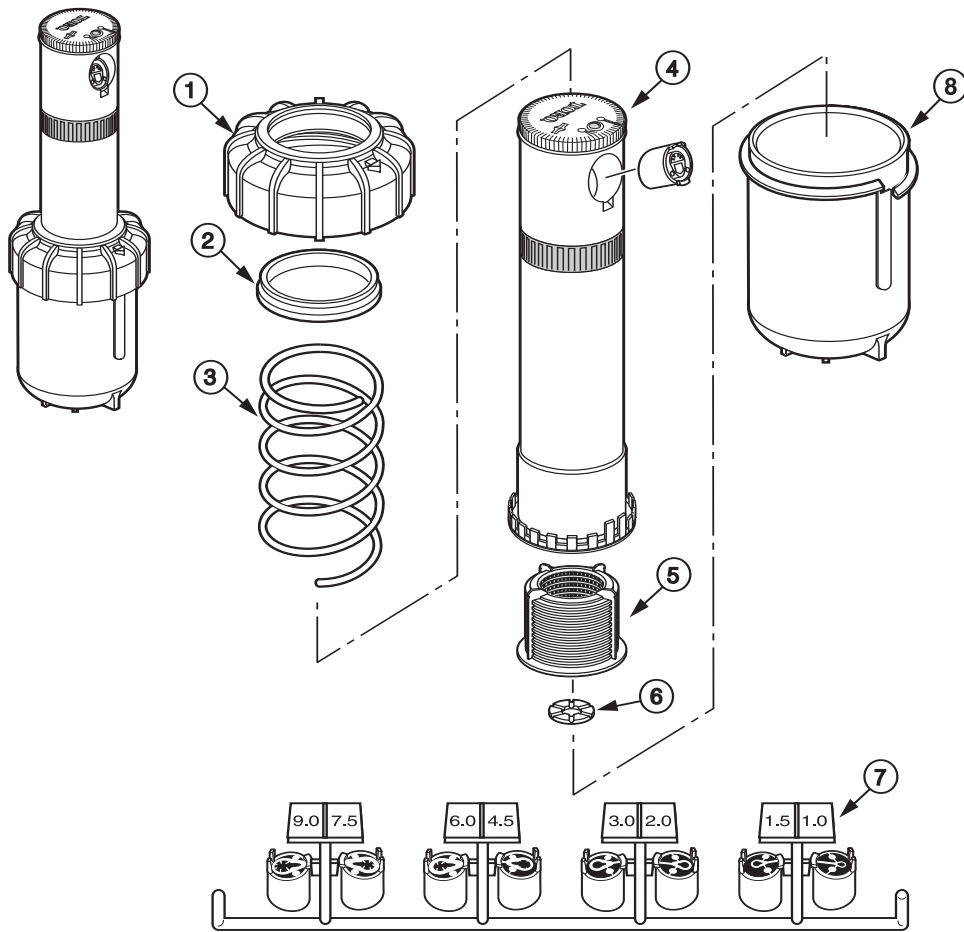
Item No.	Part No.	Description	Quantity Per Assy.
1	89-5840	Rubber Cover, Body	1
2	89-8657	Snap Ring	1
3	363-4195	O-Ring	1
4	-----	Retainer (See Service Items)	1
5	-----	Riser Assy. (See Service Items)	1
6	89-5847	Screen	1
7	89-7561	Seal, Check	1
8	89-8658	Body	1
		SERVICE ITEMS	
	89-7165	Spring Retainer (LFLP Model)	
	102-2780	Seal Retainer (LFLP Model)	
	102-2781	Riser Seal (LFLP Model)	
	102-3808	Spring Retainer & Seal Kit, V1550	
	102-2247	Retainer w/ O-Ring (Includes Items 3 and 4)	
	102-2798	V-1550-4FLFLP Riser Assy. (Full Circle, Low Flow, Low Pressure)	
	102-2799	V-1550-4LFLP Riser Assy. (Part Circle, Low Flow, Low Pressure)	
	89-8160	V-1550-4 Riser Assy. (Part Circle, Standard)	
	89-8162	V-1550-4F Riser Assy. (Full Circle, Standard)	
		SERVICE TOOLS	
	89-7350	Adjustment Key	
	995-83	Multi-purpose Tool	

V-1550-12



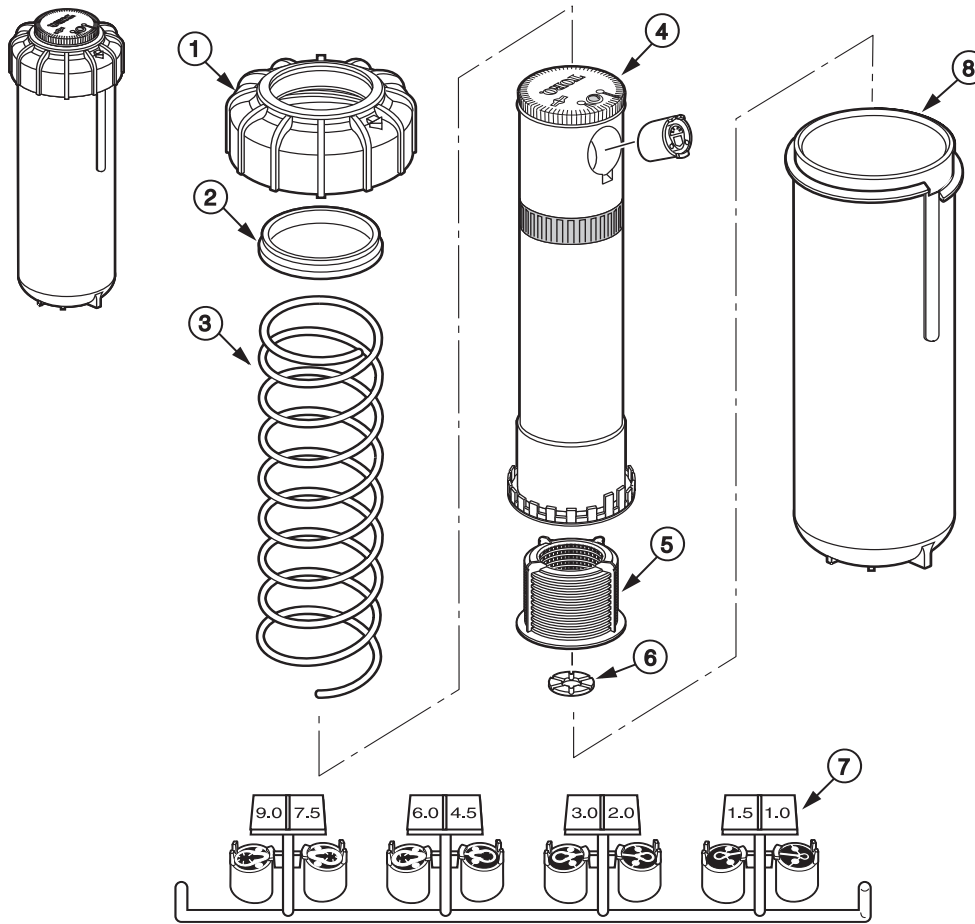
Item No.	Part No.	Description	Quantity Per Assy.
1	89-5840	Rubber Cover, Body	1
2	89-8657	Snap Ring	1
3	363-4195	O-Ring	1
4	-----	Retainer (See Service Items)	1
5	-----	Riser Assembly (See Service Items)	1
6	89-9428	Screen	1
7	89-7561	Seal, Check	1
8	89-5972	Body	1
9	363-3779	3/4" NPT Plug	1
		SERVICE ITEMS	
	89-7165	Spring Retainer (LFLP Model)	
	102-2780	Seal Retainer (LFLP Model)	
	102-2781	Riser Seal (LFLP Model)	
	102-3808	Spring Retainer & Seal Kit, V1550	
	102-2247	Retainer w/ O-Ring (Includes Items 3 and 4.)	
	102-2800	V-1550-12FLFLP Riser Assy. (Full Circle, Low Flow, Low Pressure)	
	102-2801	V-1550-12LFLP Riser Assy. (Part Circle, Low Flow, Low Pressure)	
	89-5877	V-1550-12 Riser Assy. (Part Circle, Standard)	
	89-7657	V-1550-12F Riser Assy. (Full Circle, Standard)	
		SERVICE TOOLS	
	89-7350	Adjustment Key	
	995-83	Multi-purpose Tool	

TR50 Shrub



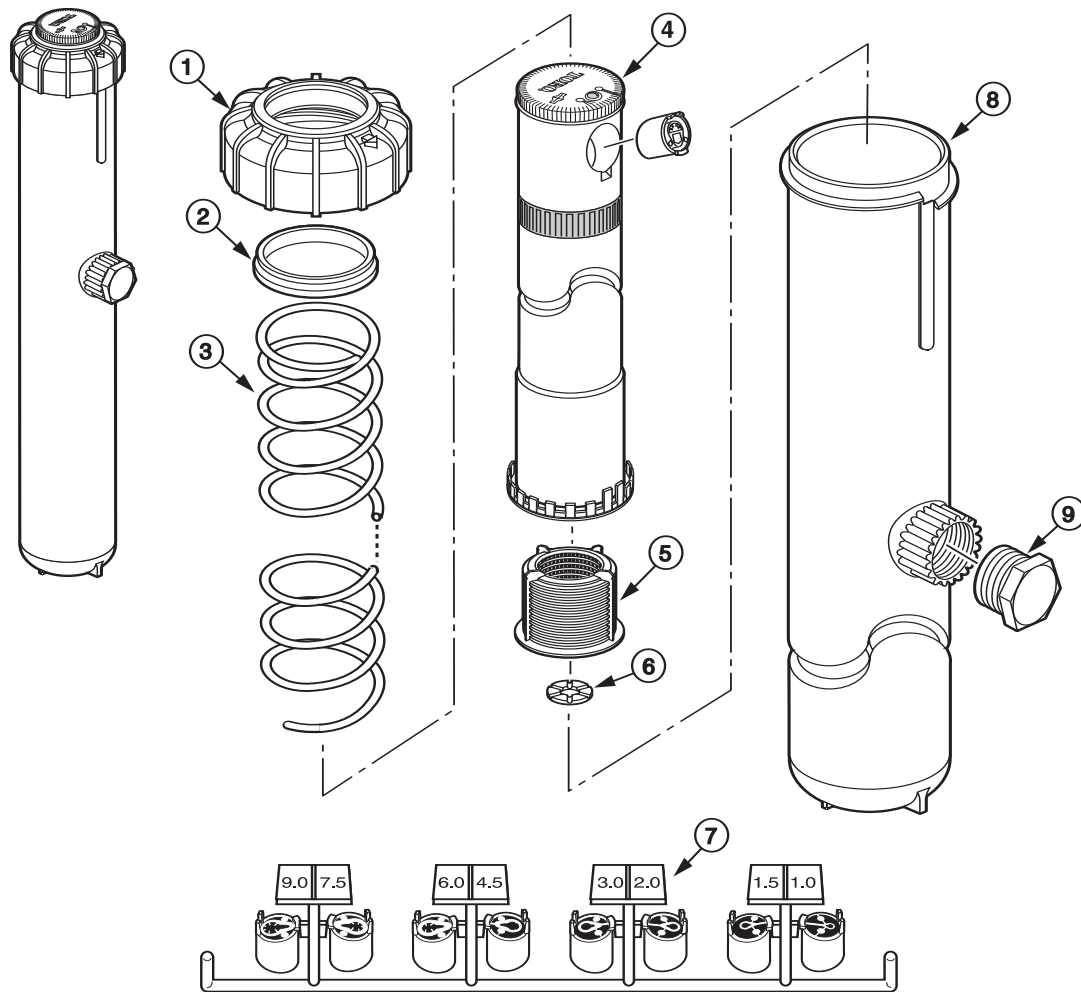
Item No.	Part No.	Description	Quantity Per Assy.
1	89-9437	Cap and Seal Assy.	1
2	89-9713	Ring, Retaining	1
3	89-9671	Spring, Shrub	1
4	89-9692	Riser Assy. (Includes Items 5, 6 and 3 GPM Nozzle)	1
5	89-9182	Screen	1
6	89-9183	Seal, Check	1
7	102-0088	Tree, Nozzle	1
8	89-9670	Body, Shrub	1
		SERVICE TOOLS	
	102-1303	Adjustment Tool	

TR50 Lawn



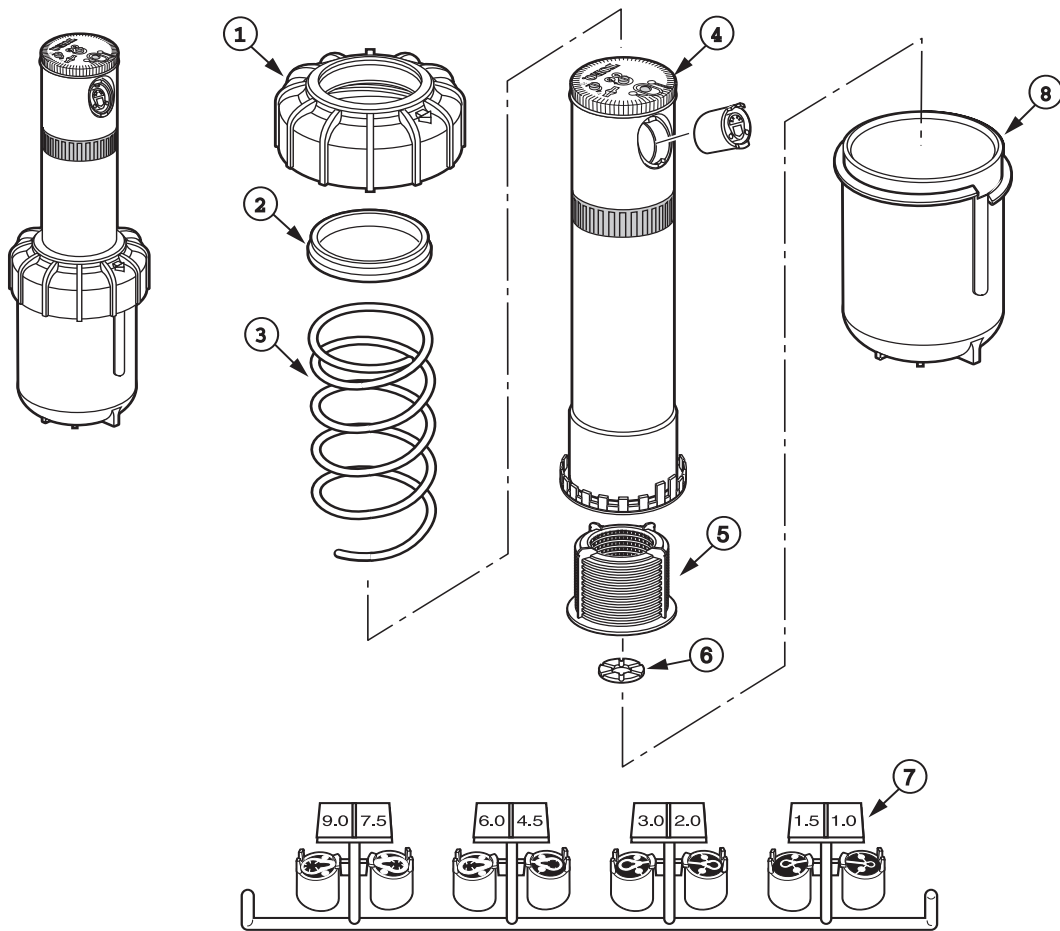
Item No.	Part No.	Description	Quantity Per Assy.
1	89-9437	Cap and Seal Assy.	1
2	89-9713	Ring, Retaining	1
3	89-9181	Spring, Retraction	1
4	89-9692	Riser Assy. (Includes Items 5, 6 and 3 GPM Nozzle)	1
5	89-9182	Screen	1
6	89-9183	Seal, Check	1
7	102-0088	Tree, Nozzle	1
8	89-9176	Body	1
	102-1303	SERVICE TOOLS Adjustment Tool	

TR50 High-Pop



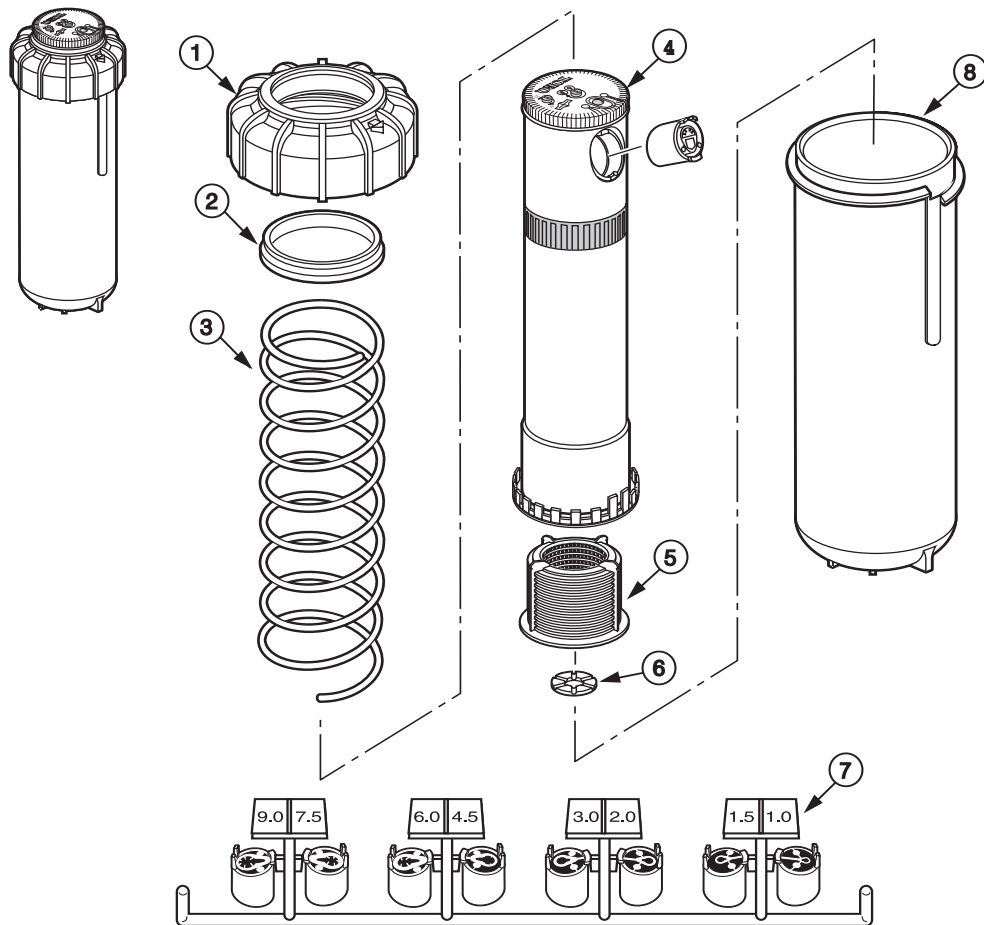
Item No.	Part No.	Description	Quantity Per Assy.
1	89-9437	Cap and Seal Assy.	1
2	89-9713	Ring, Retaining	1
3	89-9844	Spring, Retraction, 12"	1
4	102-3849	Riser Assy. (Includes Items 5, 6 and 3 GPM Nozzle)	1
5	89-9182	Screen	1
6	89-9183	Seal, Check	1
7	102-0088	Tree, Nozzle	1
8	89-9842	Body, 12"	1
9	363-3779	Plug, 3/4" NPT	1
	102-1303	SERVICE TOOLS Adjustment Tool	

TR50XT Shrub



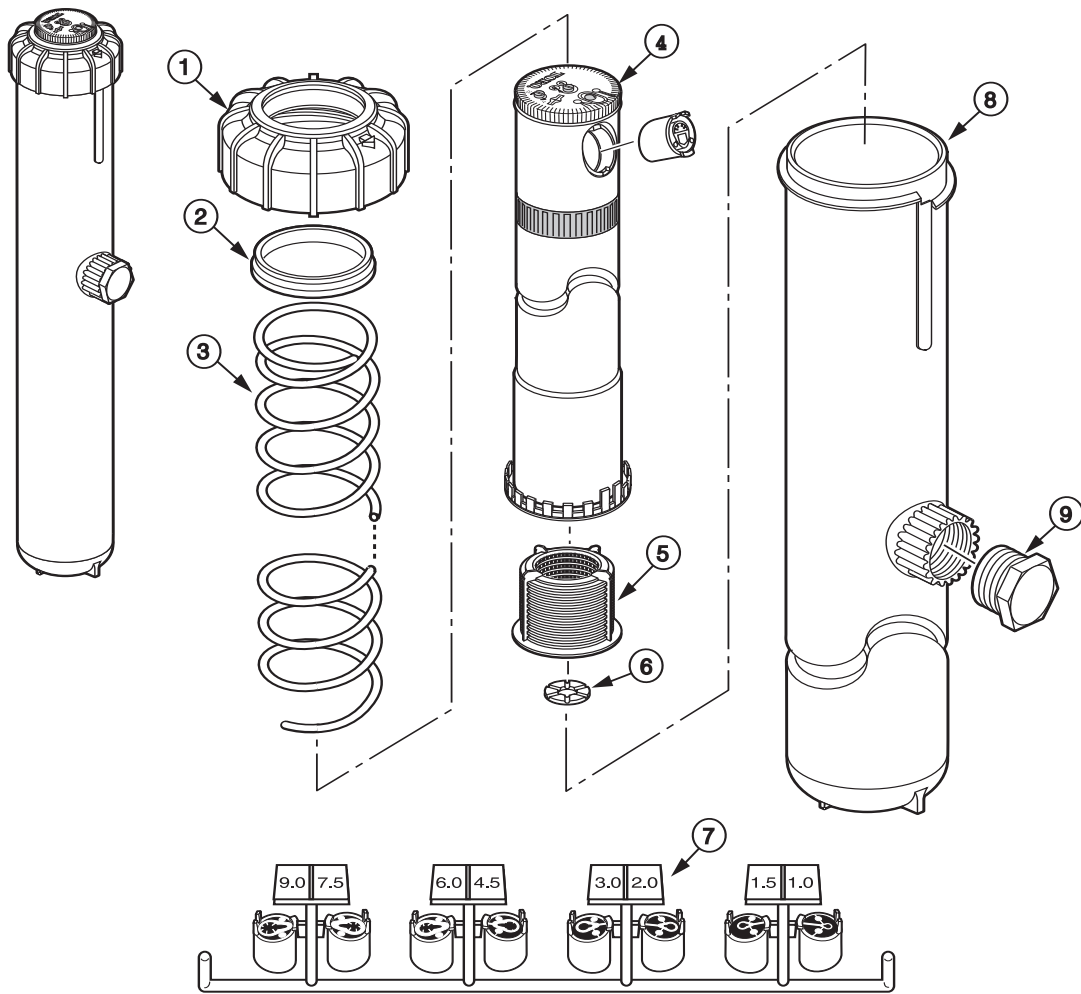
Item No.	Part No.	Description	Quantity Per Assy.
1	89-9178	Cap and Seal Assy.	1
2	89-9713	Ring, Retaining	1
3	89-9671	Spring, Shrub	1
4	89-9608	Riser Assy.	1
5	89-9182	Screen	1
6	89-9183	Seal, Check	1
7	102-1877	Tree, Nozzle	1
8	89-9670	Body, Shrub	1
		SERVICE TOOLS	
	102-1303	Adjustment Tool	
	102-3002	Riser Assy. (Includes Items 5, 6 and 3 GPM Nozzle)	

TR50XT Lawn



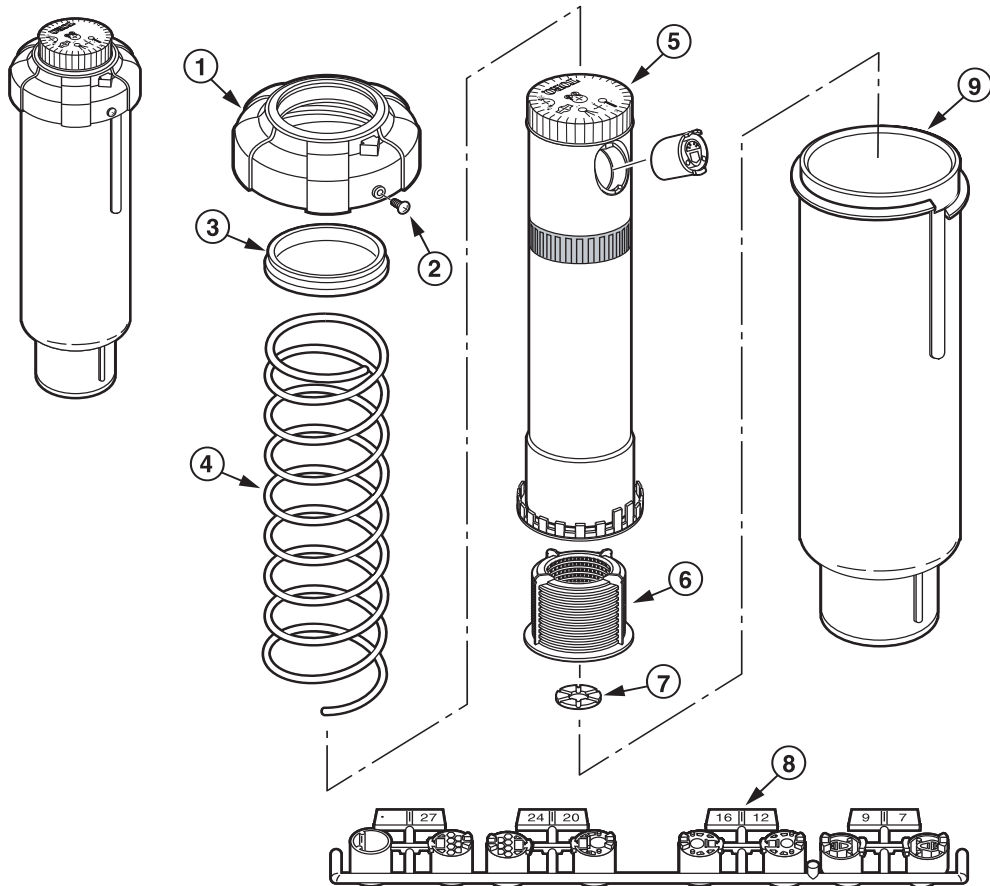
Item No.	Part No.	Description	Quantity Per Assy.
1	89-9178	Cap and Seal Assy.	1
2	89-9713	Ring, Retaining	1
3	89-9181	Spring, Retraction	1
4	102-3002	Riser Assy. (Includes Items 5, 6 and 3 GPM Nozzle)	1
5	89-9182	Screen	1
6	89-9183	Seal, Check	1
7	102-1877	Tree, Nozzle	1
8	89-9176	Body	1
	102-1303	SERVICE TOOLS Adjustment Tool	

TR50XT High-Pop



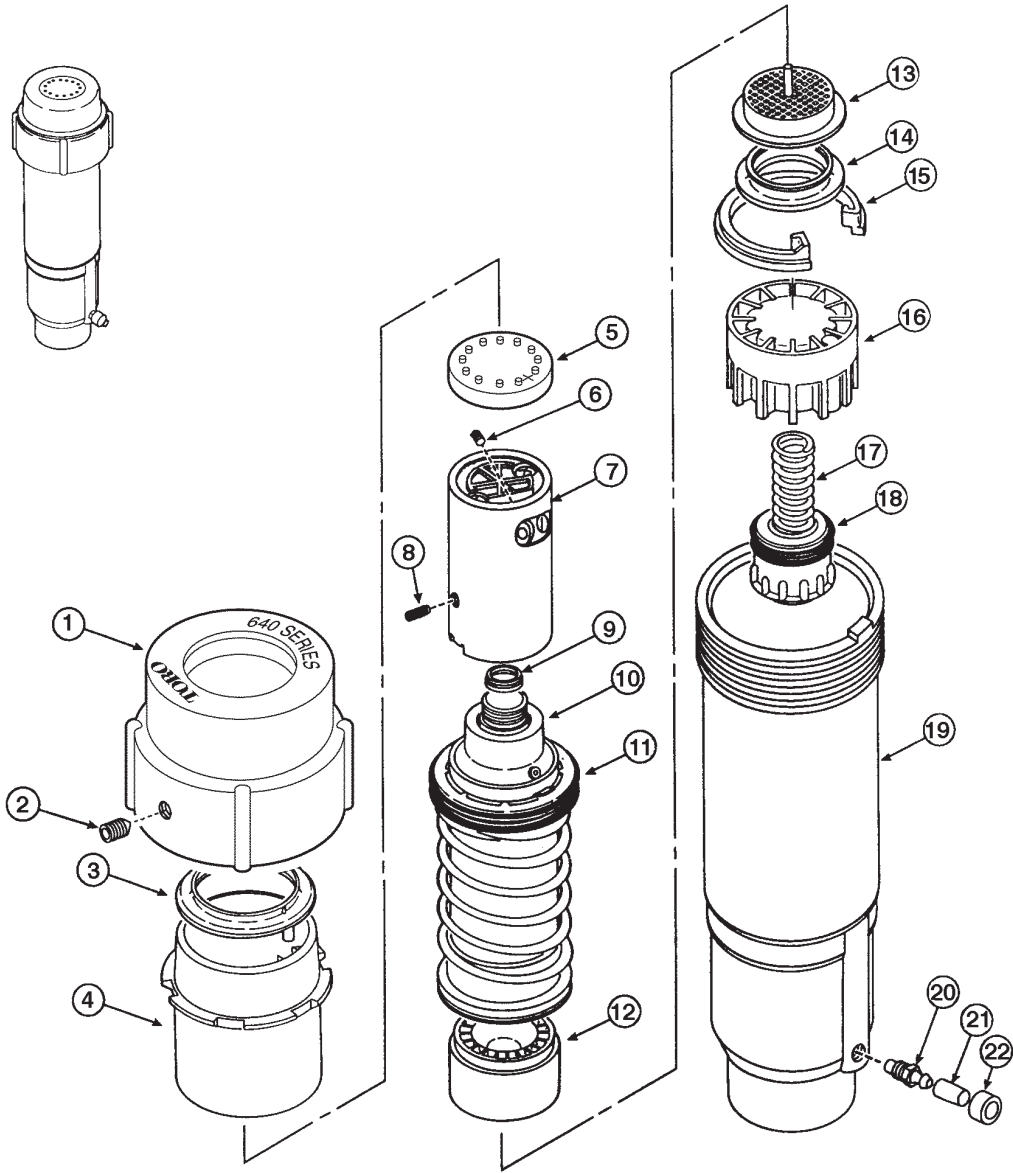
Item No.	Part No.	Description	Quantity Per Assy.
1	89-9178	Cap and Seal Assy.	1
2	89-9713	Ring, Retaining	1
3	89-9844	Spring, Retraction, 12"	1
4	102-0402	Riser Assy. (Includes Items 5, 6 and 3 GPM Nozzle)	1
5	89-9182	Screen	1
6	89-9183	Seal, Check	1
7	102-1877	Tree, Nozzle	1
8	89-9842	Body, 12"	1
9	363-3779	Plug, 3/4" NPT	1
	102-1303	SERVICE TOOLS Adjustment Tool	

TR70P & TR70XT



Item No.	Part No.	Description	Quantity Per Assy.
1	102-2629	Cap and Seal Assy.	1
2	102-2406	Set Screw, Cap	1
3	89-9713	Ring, Retaining	1
4	102-2320	Spring, Retraction	1
5	102-2676	Riser Assy., TR70XT (Includes Items 6, 7 and 12 GPM Nozzle)	1
5	102-6320	Riser Assy., TR70P (Includes Items 6, 7 and 12 GPM Nozzle)	1
6	89-9182	Screen	1
7	89-9183	Seal, Check	1
8	102-2633	Tree, Nozzle	1
9	102-3039	Body Assy., NPT Threads	1
9	102-3040	Body Assy., BSP Threads	1
	102-1303	SERVICE TOOLS Adjustment Tool	

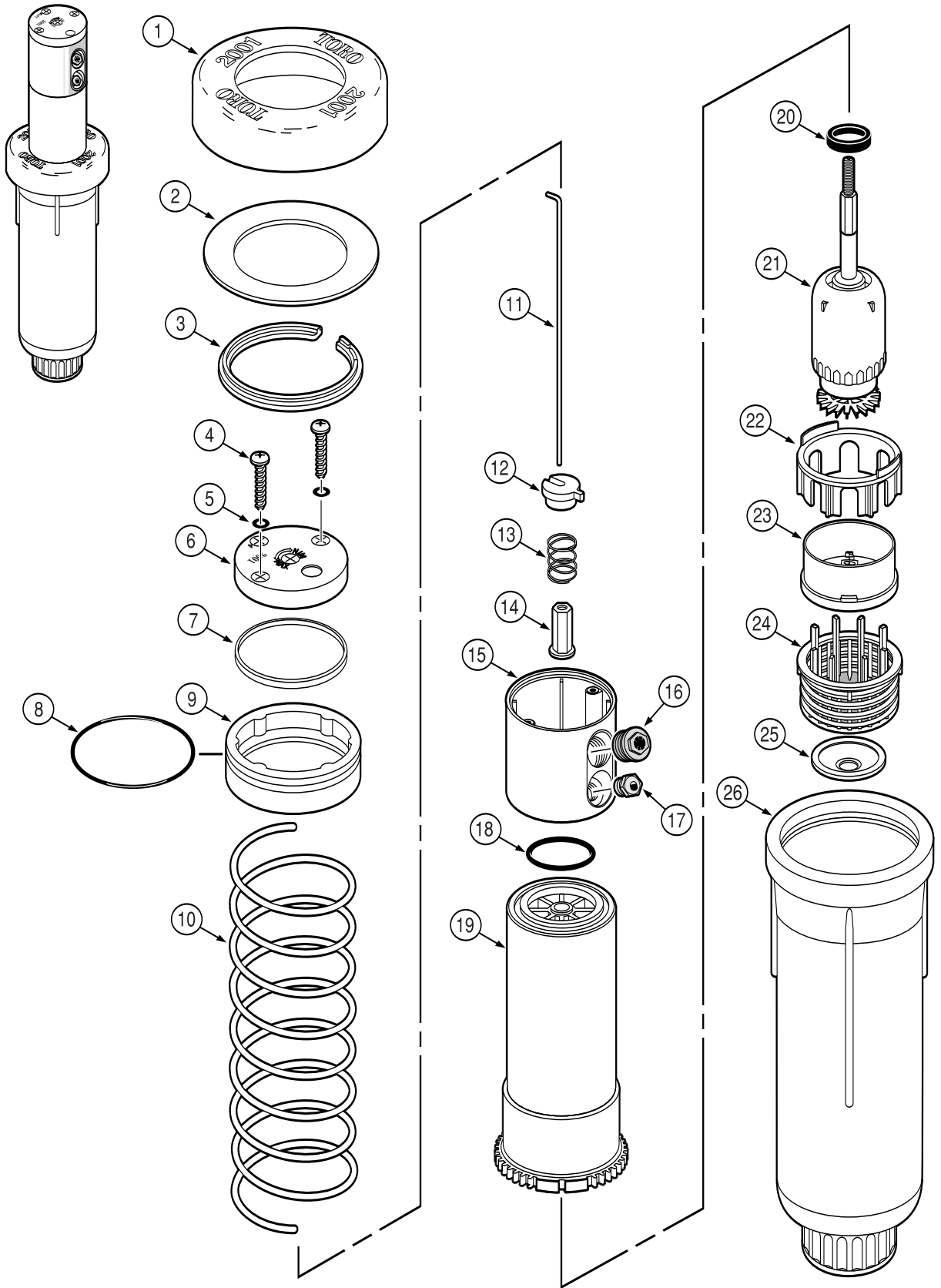
640



Item No.	Part No.	Description	Quantity Per Assy.
1	89-8999	Cap Assy., 640 Service (Includes Item 2)	1
2	2-9653	Set Screw, 1/4-20	1
3	3-3756	Seal, Nozzle Container	1
4	3-3755	Retainer	1
5	89-9000	Rubber Cover, Nozzle (For 1993 or Later Models)	1
5	89-9001	Rubber Cover, Nozzle, Effluent (For 1993 or Later Models)	1
6	360-0223	Screw, Set, Half-dog Point, 6-32 x 1/4"	1
7	-----	Nozzle Assy. (See Service Items: Nozzle/Stator Assy.)	1
8	1-7038	Screw, Half-dog Point, 6-32 x 7/16" x 0.44	1
9	35-1075	Seal, (Nozzle to Spindle)	1
10	*640-0045	Drive Assy., 640, 45°	1
10	*640-0060	Drive Assy., 640, 60°	1
10	*640-0090	Drive Assy., 640, 90°	1
10	*640-0180	Drive Assy., 640, 180°	1
10	*640-0270	Drive Assy., 640, 270°	1
10	*640-0360	Drive Assy., 640, 360°	1
10	*640-0108	Drive Assy., 640, 108°	1
10	*640-0127	Drive Assy., 640, 127°	1
10	*640-0148	Drive Assy., 640, 148°	1

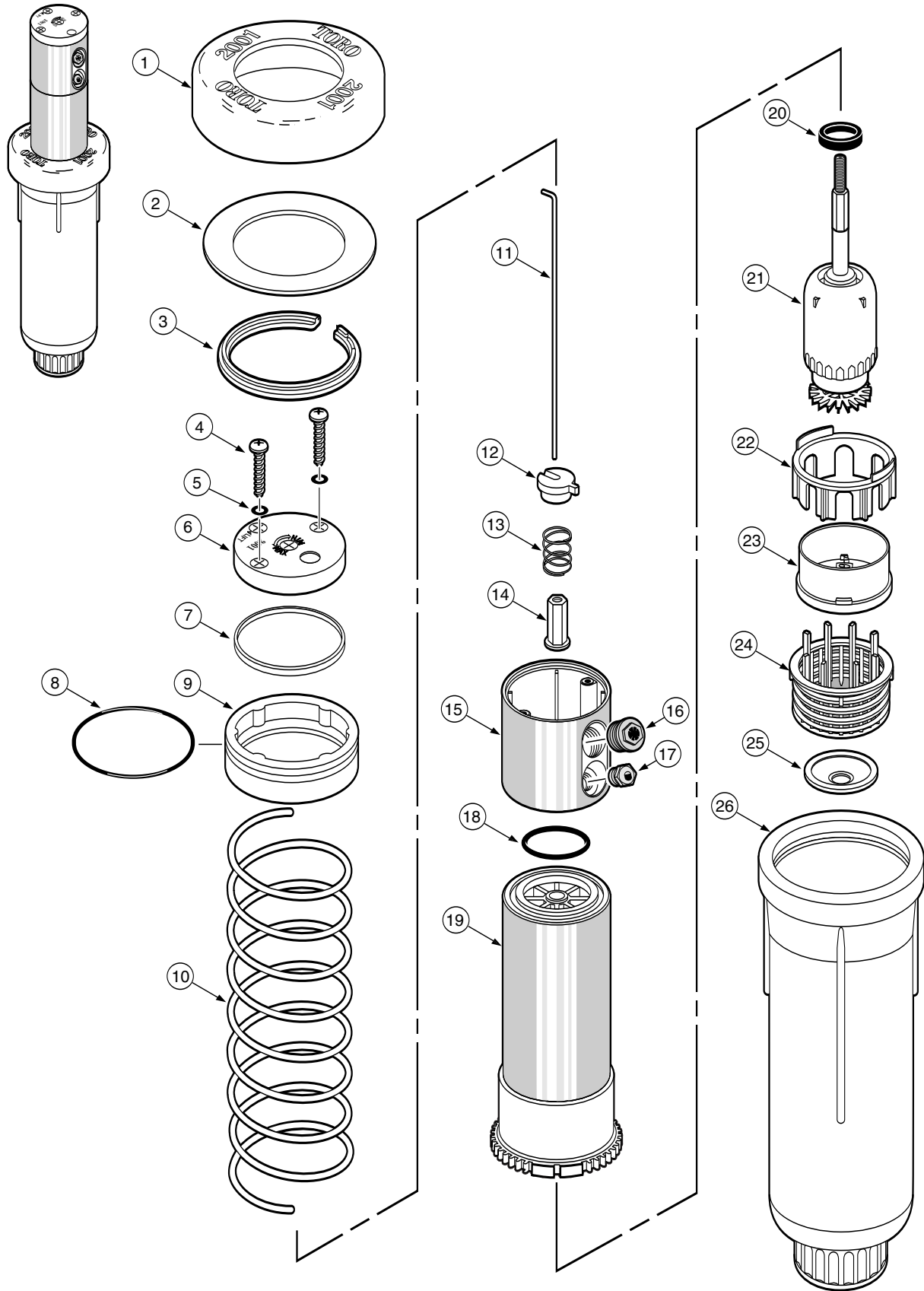
Item No.	Part No.	Description	Quantity Per Assy.
10	*640-0173	Drive Assy., 640, 173°	1
10	*640-0192	Drive Assy., 640, 192°	1
10	*640-0238	Drive Assy., 640, 238°	1
11	- - - - -	Seal Assy. (See Service Item 35-4280)	1
12	35-1529	Stator Assy., #40 (Includes Items 13 and 14)	1
12	35-1359	Stator Assy., #41 (Includes Items 13 and 14)	1
12	9-2816	Stator Assy., #42 (Includes Items 13 and 14)	1
12	9-2817	Stator Assy., #43 (Includes Items 13 and 14)	1
12	35-1701	Stator Assy., #44 (Includes Items 13 and 14)	1
13	9-2072	Screen	1
14	9-2633	Seat, COM	1
15	89-4702	Snap Ring, Valve	1
16	9-1485	Cylinder Assy., Hyd., NO	1
17	3-2633	Spring, Valve, Hyd., NO	1
18	89-8082	Piston Assy., Hyd., NO	1
19	9-2099	Body Assy., COM	1
19	35-2076	Body Assy., COM (BSP)	1
19	89-8088	Body Assy., Hyd., NO (Includes Item 20–22)	1
19	89-8089	Body Assy., Hyd., NO (BSP) (Includes Item 20–22)	1
20	9-6002	1/4" Tubing Adapter, Threaded	1
21	89-8157	Cap, Poly	1
22	*900-40	Retainer, Tube	1
		SERVICE PARTS AND ASSEMBLIES	
	89-1046	Valve Assy., 1.0" Hyd., NO, (Includes Items 16–18)	
	9-7271	1/4" Tubing Adapter, Oversize Threads	
	35-4280	Seal Assembly Replacement Kit	
	35-0579	Stator Assy., Fast, #41 (Includes Items 12–14)	
	35-1011	Stator Assy., Fast, #42/43 (Includes Items 12–14)	
	*640-40	#40 Nozzle/Stator Assy. (Includes Items 5–9 and 12–14)	
	*640-41	#41 Nozzle/Stator Assy. (Includes Items 5–9 and 12–14)	
	*640-42	#42 Nozzle/Stator Assy. (Includes Items 5–9 and 12–14)	
	*640-43	#43 Nozzle/Stator Assy. (Includes Items 5–9 and 12–14)	
	*640-44	#44 Nozzle/Stator Assy. (Includes Items 5–9 and 12–14)	
	*640-40E	#40 Nozzle/Stator Assy., Effluent (Includes Items 5–9 and 12–14)	
	*640-41E	#41 Nozzle/Stator Assy., Effluent (Includes Items 5–9 and 12–14)	
	*640-42E	#42 Nozzle/Stator Assy., Effluent (Includes Items 5–9 and 12–14)	
	*640-43E	#43 Nozzle/Stator Assy., Effluent (Includes Items 5–9 and 12–14)	
	*640-44E	#44 Nozzle/Stator Assy., Effluent (Includes Items 5–9 and 12–14)	
	*640-10	Body Package, 640, Hyd., NO (Includes Items 1–4 and 15–22)	
	*640-51	Body Package, 640, Hyd., NO, BSP (Includes Items 1–4 and 15–22)	
	*640-20	Body Package, 640, COM (Includes Items 1–4 and 19)	
	*640-52	Body Package, 640, COM, BSP (Includes Items 1–4 and 19)	
	89-9080	Rubber Cover Upgrade Kit #40 (Includes Items 1, 2 and 5–9)	
	89-9081	Rubber Cover Upgrade Kit #41 (Includes Items 1, 2 and 5–9)	
	89-9082	Rubber Cover Upgrade Kit #42 (Includes Items 1, 2 and 5–9)	
	89-9083	Rubber Cover Upgrade Kit #43 (Includes Items 1, 2 and 5–9)	
	89-9084	Rubber Cover Upgrade Kit #44 (Includes Items 1, 2 and 5–9)	
	35-3652	Container, Nozzle (Pre-1993 Models)	
	35-9113	Container, Nozzle (Without Set Screw Hole, Pre-1993 Models)	
	9-6086	Rubber Cover, Nozzle (Pre-1993 Models)	
	89-7984	Retainer, Rubber Cover	
	89-3744	Rubber Cover, Cap	
		SERVICE TOOLS	
	995-100	Snap Ring Pliers	
	995-08	Valve Removal Tool	
	995-35	Valve Insertion Tool	
	995-37	Seal Installation Tool	
	995-42	640 Canister Removal Tool	
	996-51	Cap Removal Tool	
		* Order Through Finished Goods Distribution System—Minneapolis	

2001



Item No.	Part No.	Description	Quantity Per Assy.
1	89-3883	Cap, Rubber	1
2	102-0058	Seal, Debris	1
3	89-3885	Snap Ring	1
4	363-1493	Screw, 10 x 1.0", Phpnh, 2 HLXA	2
5	360-0530	O-Ring, 0.070" x0.145" x 0.285"	2
6	89-3944	Nozzle Top Assy., PC	1
6	89-7295	Nozzle Top Assy., FC	1
6	89-6734	Nozzle Top Assy., PC, Effluent	1
6	89-7296	Nozzle Top Assy., FC, Effluent	1
7	89-4887	Nozzle Base Retainer	1
8	363-3690	O-Ring, 0.103" x 2.237" x 2.443"	1
9	- - - - -	O-Ring Retainer (See Service Item 89-9913)	1
10	89-9399	Spring	1
11	89-3869	Shaft (PC Pin)	1
12	89-4890	Arm, Clutch (PC Models Only)	1
13	89-5887	Spring, Clutch (PC Models Only)	1
14	89-3928	Nut, Nozzle Base	1
15	89-3872	Base, Nozzle	1
16	89-4765	Nozzle, Main, 6.0, Yellow	1
16	89-4766	Nozzle, Main, 9.0, Orange	1
16	89-4767	Nozzle, Main, 12.0, Brown	1
16	89-8449	Nozzle, Main, 15.0, Gray	1
16	89-4768	Nozzle, Main, 18.0, Blue	1
16	89-4769	Nozzle, Main, 24.0, Green	1
17	89-8283	Nozzle, Lower, Small (White)	1
17	89-8660	Nozzle, Lower, Large (Red)	1
18	363-4096	O-Ring, #121, 0.103" x 1.049" x 1.255" (Yellow)	1
19	89-9398	Riser	1
20	89-5904	Brake	1
21	89-8036	Gear Drive Assy., 2001 (Includes Item 19)	1
22	89-7374	Holder, Stator	1
23	- - - - -	Stator (See Service Item 89-8202)	1
24	89-3929	Screen	1
25	35-2245	Check Valve	1
26	89-7393	Body Assy., BSP	1
26	89-7392	Body Assy., NPT	1
		SERVICE ITEMS	
	89-8202	Stator Assy., 2001 (Includes Item 21 & 22)	
	89-3935	COM Assy., 2001 (Includes Items 23 and 24)	
	89-9913	O-Ring Retainer Assy., SVC (Includes Items 7 & 8)	
	89-3943	Ring, Seal Support (Pre-4/99)	
	89-7577	Seal, Riser (Pre-4/99)	
	89-6602	Spring Retainer (Pre-4/99)	
	89-3927	Spring (Pre-4/99)	
	89-8451	Cover, Vandal Resistant	
	102-0365	Tree, Nozzle, Colored	
		SERVICE TOOLS	
	89-4717	Adjustment Tool	
	995-83	Multi-purpose Tool	

S2001



Item No.	Part No.	Description	Quantity Per Assy.
1	89-3883	Cap, Rubber	1
2	102-0058	Seal, Debris	1
3	89-3885	Snap Ring	1
4	363-1493	Screw, #10 x 1.0" Phphn, 2 HLXA	2
5	360-0530	O-Ring, 0.070" x 0.145" x 0.285"	2
6	89-3944	Nozzle Top Assy., PC	1
6	89-7295	Nozzle Top Assy., FC	1
6	89-6734	Nozzle Top Assy., PC, Effluent	1
6	89-7296	Nozzle Top Assy., FC, Effluent	1
7	89-4887	Nozzle Base Retainer	1
8	363-3690	O-Ring, 0.103" x 2.237" x 2.443"	1
9	-----	O-Ring Retainer (See Service Item 89-9914)	1
10	89-9399	Spring	1
11	89-3869	Shaft (PC Only)	1
12	89-4890	Arm, Clutch (PC Only)	1
13	89-5887	Spring, Clutch (PC Only)	1
14	89-3928	Nut, Nozzle Base	1
15	89-9870	Nozzle Base Assy.	1
16	89-4765	Nozzle, Main, 6.0, Yellow	1
16	89-4766	Nozzle, Main, 9.0, Orange	1
16	89-4767	Nozzle, Main, 12.0, Brown	1
16	89-8449	Nozzle, Main, 15.0, Gray	1
16	89-4768	Nozzle, Main, 18.0, Blue	1
16	89-4769	Nozzle, Main, 24.0, Green	1
17	89-8283	Nozzle, Lower, Small (White)	1
17	89-8660	Nozzle, Lower, Large (Red)	1
18	363-4096	O-Ring, #121, 0.103" x 1.049" x 1.255" (Yellow)	1
19	89-9427	Riser Assy.	1
20	89-5904	Brake	1
21	89-8036	Gear Drive Assy., 2001 (Includes Item 19)	1
22	89-7374	Holder, Stator	1
23	-----	Stator (See Service Item 89-8202)	1
24	89-3929	Screen	1
25	35-2245	Check Valve	1
26	89-7393	Body Assy., BSP	1
26	89-7392	Body Assy., NPT	1
		SERVICE ITEMS	
	89-8202	Stator Assy., 2001 (Includes Item 21 & 22)	
	89-3935	COM Assy., 2001 (Includes Items 23 & 24)	
	89-9914	O-Ring Retainer Assy., SVC (Includes Items 7 & 8)	
	89-3943	Ring, Seal Support (Pre-4/99)	
	89-7577	Seal, Riser (Pre-4/99)	
	89-6602	Spring Retainer (Pre-4/99)	
	89-3927	Spring (Pre-4/99)	
	89-8451	Cover, Vandal Resistant	
	102-0365	Nozzle Tree, Colored	
		SERVICE TOOLS	
	89-4717	Adjustment Tool	
	995-83	Multi-purpose Tool	

